



DEPARTMENT OF REGULATORY AND ECONOMIC RESOURCES (RER)  
 BOARD AND CODE ADMINISTRATION DIVISION

**NOTICE OF ACCEPTANCE (NOA)**

MIAMI-DADE COUNTY  
 PRODUCT CONTROL SECTION  
 11805 SW 26 Street, Room 208  
 Miami, Florida 33175-2474  
 T (786) 315-2590 F (786) 315-2599  
[www.miamidade.gov/economy](http://www.miamidade.gov/economy)

**Nystrom Incorporated**  
**9300 73<sup>rd</sup> Avenue North**  
**Brooklyn Park, MN 55428**

**SCOPE:**

This NOA is being issued under the applicable rules and regulations governing the use of construction materials. The documentation submitted has been reviewed and accepted by Miami-Dade County RER-Product Control Section to be used in Miami-Dade County and other areas where allowed by the Authority Having Jurisdiction (AHJ).

This NOA shall not be valid after the expiration date stated below. The Miami-Dade County Product Control Section (In Miami-Dade County) and/or the AHJ (in areas other than Miami-Dade County) reserve the right to have this product or material tested for quality assurance purposes. If this product or material fails to perform in the accepted manner, the manufacturer will incur the expense of such testing and the AHJ may immediately revoke, modify, or suspend the use of such product or material within their jurisdiction. RER reserves the right to revoke this acceptance if it is determined by Miami-Dade County Product Control Section that this product or material fails to meet the requirements of the applicable building code.

This product is approved as described herein and has been designed to comply with the Florida Building Code, including the High Velocity Hurricane Zone.

**DESCRIPTION: Hurricane Zone and Personnel Series G and A Steel and Aluminum Roof Hatch**

**APPROVAL DOCUMENT:** Drawing titled “Roof Hatch, Hurricane Zone and Personnel Series Single Door, Single Wall Curb, Single-Point and Two-Point Latch”, sheets 1 through 16 of 16, dated 03/17/2017, prepared by Nystrom Incorporated, signed and sealed by Wayne K. Helmila, P.E. on 11/16/2021, bearing the Miami-Dade County Product Control revision stamp with the Notice of Acceptance number and expiration date by the Miami-Dade County Product Control Section.

**MISSILE IMPACT RATING: Large and Small Missile Impact Resistant**

**LABELING:** Each unit shall bear a permanent label with the manufacturer's name or logo, city, state and following statement: "Miami-Dade County Product Control Approved", unless otherwise noted herein.

**RENEWAL** of this NOA shall be considered after a renewal application has been filed and there has been no change in the applicable building code negatively affecting the performance of this product.

**TERMINATION** of this NOA will occur after the expiration date or if there has been a revision or change in the materials, use, and/or manufacture of the product or process. Misuse of this NOA as an endorsement of any product, for sales, advertising or any other purposes shall automatically terminate this NOA. Failure to comply with any section of this NOA shall be cause for termination and removal of NOA.

**ADVERTISEMENT:** The NOA number preceded by the words Miami-Dade County, Florida, and followed by the expiration date may be displayed in advertising literature. If any portion of the NOA is displayed, then it shall be done in its entirety.

**INSPECTION:** A copy of this entire NOA shall be provided to the user by the manufacturer or its distributors and shall be available for inspection at the job site at the request of the Building Official.

This NOA **renews** and **revises** **NOA # 18-0110.04** and consists of this page 1 and evidence pages E-1, E-2, E-3, E-4 and E-5, as well as approval document mentioned above.

The submitted documentation was reviewed by **Carlos M. Utrera, P.E.**



**NOA No. 21-1201.01**  
**Expiration Date: May 25, 2027**  
**Approval Date: January 27, 2022**  
 Page 1

**Nystrom Incorporated**

**NOTICE OF ACCEPTANCE: EVIDENCE SUBMITTED**

**1. EVIDENCE SUBMITTED UNDER PREVIOUS NOA's**

**A. DRAWINGS “Submitted under NOA #17-0703.02”**

1. Drawing No. **Door Hatch Assembly**, titled “Roof Hatch, Hurricane Zone Series Single Door, Single Wall Curb, Single Point and Two Point Latch”, sheets 1 through 16 of 16, 06/22/2017, prepared by Nystrom Incorporated, signed and sealed by Wayne K. Helmila, P.E.

**B. TESTS “Submitted under NOA #17-0207.11”**

1. Test report on 1) Air Infiltration Test, per FBC, TAS 202-94  
2) Uniform Static Air Pressure Test, Loading per FBC TAS 202-94  
3) Water Resistance Test, per FBC, TAS 202-94  
4) Large Missile Impact Test per FBC, TAS 201-94,  
5) Cyclic Wind Pressure Test per FBC, TAS 203-94,  
along with marked-up drawings and installation diagram of Model RHHA48X48S1T Aluminum Roof Hatch/Single Door, prepared by Element Materials Technology, Test Report No. **ESP023828P-A4848N.2A Rev2**, dated 10/18/2016, signed and sealed by Jason R. Steen, P.E.
2. Test report on 1) Air Infiltration Test, per FBC, TAS 202-94  
2) Uniform Static Air Pressure Test, Loading per FBC TAS 202-94  
3) Water Resistance Test, per FBC, TAS 202-94  
4) Large Missile Impact Test per FBC, TAS 201-94,  
5) Cyclic Wind Pressure Test per FBC, TAS 203-94,  
along with marked-up drawings and installation diagram of Model RHHG48X48S1T Galvaneal A653 Roof Hatch/Single Door, prepared by Element Materials Technology, Test Report No. **ESP023828P-G4848N.3A Rev2**, dated 10/18/2016, signed and sealed by Jason R. Steen, P.E.
3. Test report on 1) Air Infiltration Test, per FBC, TAS 202-94  
2) Uniform Static Air Pressure Test, Loading per FBC TAS 202-94  
3) Water Resistance Test, per FBC, TAS 202-94  
4) Large Missile Impact Test per FBC, TAS 201-94,  
5) Cyclic Wind Pressure Test per FBC, TAS 203-94,  
along with marked-up drawings and installation diagram of Model RHHG30X96S1T Galvaneal A653 Roof Hatch/Single Door, prepared by Element Materials Technology, Test Report No. **ESP023828P-G3096N.1A Rev2**, dated 10/18/2016, signed and sealed by Jason R. Steen, P.E.



---

**Carlos M. Utrera, P.E.**  
**Product Control Examiner**  
**NOA No. 21-1201.01**  
**Expiration Date: May 25, 2027**  
**Approval Date: January 27, 2022**

**Nystrom Incorporated**

**NOTICE OF ACCEPTANCE: EVIDENCE SUBMITTED**

**B. TESTS “Submitted under NOA #17-0207.11” (Continued)**

4. Test report on 1) Air Infiltration Test, per FBC, TAS 202-94  
2) Uniform Static Air Pressure Test, Loading per FBC TAS 202-94  
3) Water Resistance Test, per FBC, TAS 202-94  
4) Large Missile Impact Test per FBC, TAS 201-94,  
5) Cyclic Wind Pressure Test per FBC, TAS 203-94,  
along with marked-up drawings and installation diagram of Model RHHA30X96S1T Aluminum Roof Hatch/Single Door, prepared by Element Materials Technology, Test Report No. **ESP023828P-A3096N.4A Rev2**, dated 10/18/2016, signed and sealed by Jason R. Steen, P.E.

**C. CALCULATIONS “Submitted under NOA #17-0207.11”**

1. Anchoring calculations prepared by Rice Engineering, dated 12/29/2016, signed and sealed by Wayne K. Helmila, P.E.

**D. QUALITY ASSURANCE**

1. Miami-Dade Department of Regulatory and Economic Resources (RER).

**E. MATERIAL CERTIFICATIONS**

1. Notice of Acceptance issued to Firestone Building Products Company, LLC for their Firestone Polyisocyanurate Foam Insulation, approved on 05/09/2013 and expiring on 06/05/2018.
2. UL Certification #BRYX.R13184 issued to Diversifoam Products Inc. for their EPS foam plastic insulation.

**F. STATEMENTS “Submitted under NOA #17-0207.11”**

1. Statement letter of code conformance to 5<sup>th</sup> edition (2014) FBC issued by Rice Engineering, dated 01/18/2017, signed and sealed by Wayne K. Helmila, P.E.
2. Statement letter of no financial interest issued by Rice Engineering, dated 01/18/2017, signed and sealed by Wayne K. Helmila, P.E.



---

**Carlos M. Utrera, P.E.**  
**Product Control Examiner**  
**NOA No. 21-1201.01**  
**Expiration Date: May 25, 2027**  
**Approval Date: January 27, 2022**

**Nystrom Incorporated**

**NOTICE OF ACCEPTANCE: EVIDENCE SUBMITTED**

**2. EVIDENCE SUBMITTED UNDER NOA # 18-0110.04**

**A. DRAWINGS**

1. None.

**B. TESTS**

1. None.

**C. CALCULATIONS**

1. None.

**D. QUALITY ASSURANCE**

1. Miami-Dade Department of Regulatory and Economic Resources (RER)

**E. MATERIAL CERTIFICATIONS**

1. None.

**F. STATEMENTS**

1. Statement letter of code conformance to **FBC 6<sup>th</sup> Edition (2017)**, dated December 19, 2017, issued by Rice Engineering, signed and sealed by Wayne K. Helmila, P.E.



---

**Carlos M. Utrera, P.E.**  
**Product Control Examiner**  
**NOA No. 21-1201.01**  
**Expiration Date: May 25, 2027**  
**Approval Date: January 27, 2022**

**NOTICE OF ACCEPTANCE: EVIDENCE SUBMITTED**

**3. NEW EVIDENCE SUBMITTED**

**A. DRAWINGS**

1. Drawing titled “Roof Hatch, Hurricane Zone and Personnel Series Single Door, Single Wall Curb, Single-Point and Two-Point Latch”, sheets 1 through 16 of 16, dated 03/17/2017, prepared by Nystrom Incorporated, signed and sealed by Wayne K. Helmila, P.E. on 11/16/2021.

**B. TESTS**

1. Test report on 1) Air Infiltration Test, per FBC, TAS 202-94  
2) Uniform Static Air Pressure Test, Loading per FBC TAS 202-94  
3) Water Resistance Test, per FBC, TAS 202-94  
4) Large Missile Impact Test per FBC, TAS 201-94 (Level E, 80 ft/sec),  
5) Cyclic Wind Pressure Test per FBC, TAS 203-94,  
along with marked-up drawings and installation diagram of Model RHHA48X48S1T Aluminum Roof Hatch/Single Door, prepared by Element Materials Technology, Test Report No. **ESP023828P-A4848N.2A Rev3**, dated 10/18/2016, revised on 10/12/2021, signed and sealed by Jason R. Steen, P.E.
2. Test report on 1) Air Infiltration Test, per FBC, TAS 202-94  
2) Uniform Static Air Pressure Test, Loading per FBC TAS 202-94  
3) Water Resistance Test, per FBC, TAS 202-94  
4) Large Missile Impact Test per FBC, TAS 201-94 (Level E, 80 ft/sec),  
5) Cyclic Wind Pressure Test per FBC, TAS 203-94,  
along with marked-up drawings and installation diagram of Model A3096 Aluminum Roof Hatch/Single Door, prepared by Intertek, Test Report No. **M5878.01-201-18 R0**, dated 08/09/2021, signed and sealed by Vinu J. Abraham, P.E.
3. Test report on 1) Air Infiltration Test, per FBC, TAS 202-94  
2) Uniform Static Air Pressure Test, Loading per FBC TAS 202-94  
3) Water Resistance Test, per FBC, TAS 202-94  
4) Large Missile Impact Test per FBC, TAS 201-94 (Level E, 80 ft/sec),  
5) Cyclic Wind Pressure Test per FBC, TAS 203-94,  
along with marked-up drawings and installation diagram of Model G3096 Galvannealed Roof Hatch/Single Door, prepared by Intertek, Test Report No. **M5880.01-201-18 R0**, dated 08/09/2021, signed and sealed by Vinu J. Abraham, P.E.



---

**Carlos M. Utrera, P.E.**  
**Product Control Examiner**  
**NOA No. 21-1201.01**  
**Expiration Date: May 25, 2027**  
**Approval Date: January 27, 2022**

**Nystrom Incorporated**

**NOTICE OF ACCEPTANCE: EVIDENCE SUBMITTED**

**B. TESTS (Continued)**

4. Test report on
  - 1) Air Infiltration Test, per FBC, TAS 202-94
  - 2) Uniform Static Air Pressure Test, Loading per FBC TAS 202-94
  - 3) Water Resistance Test, per FBC, TAS 202-94
  - 4) Large Missile Impact Test per FBC, TAS 201-94 (Level E, 80 ft/sec),
  - 5) Cyclic Wind Pressure Test per FBC, TAS 203-94,along with marked-up drawings and installation diagram of Model RHHA30X96S1T Aluminum Roof Hatch/Single Door, prepared by Element Materials Technology, Test Report No. **ESP023828P-A3096N.4A Rev3**, dated 10/18/2016, revised on 10/12/2021, signed and sealed by Jason R. Steen, P.E.

**C. CALCULATIONS**

1. Anchoring calculations prepared by Rice Engineering, dated 11/05/2021, signed and sealed by Wayne K. Helmila, P.E.

**D. QUALITY ASSURANCE**

1. Miami-Dade Department of Regulatory and Economic Resources (RER).

**E. MATERIAL CERTIFICATIONS**

1. None.

**F. STATEMENTS**

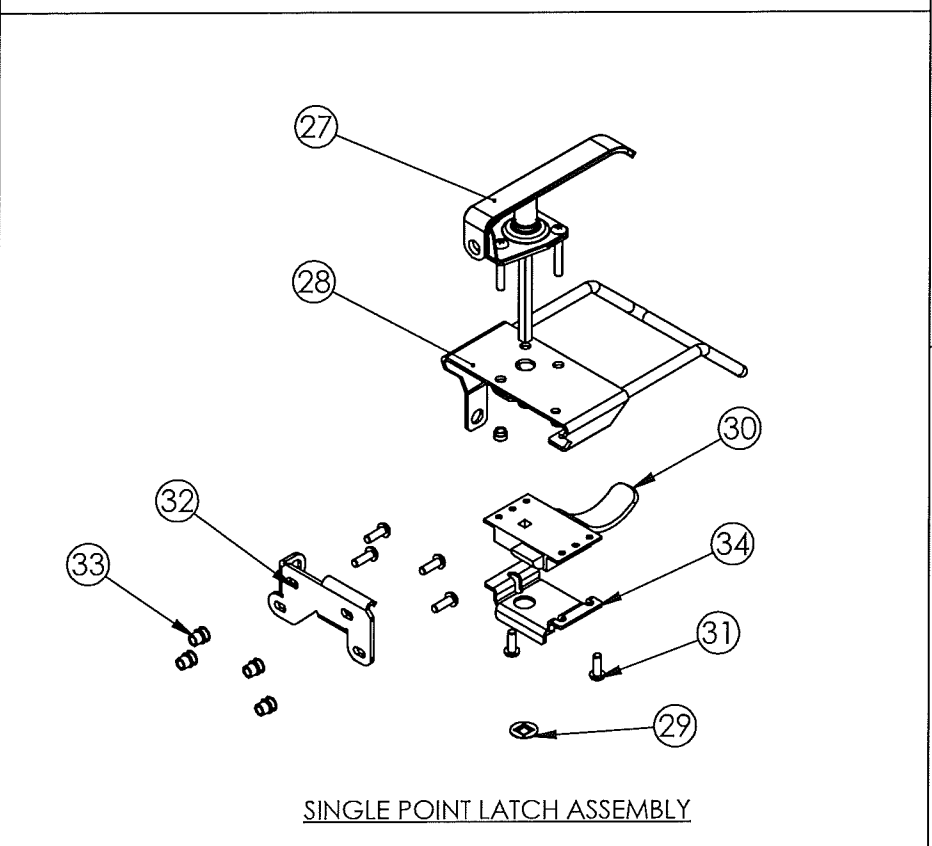
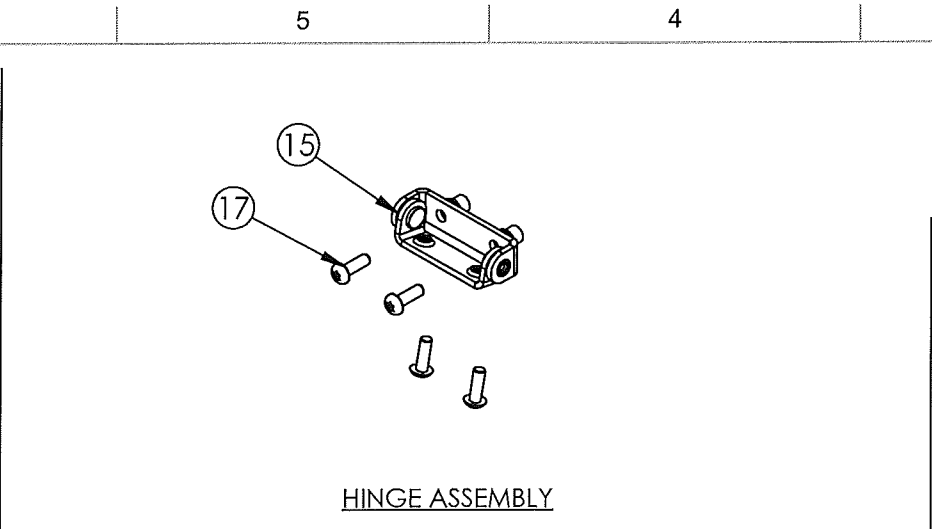
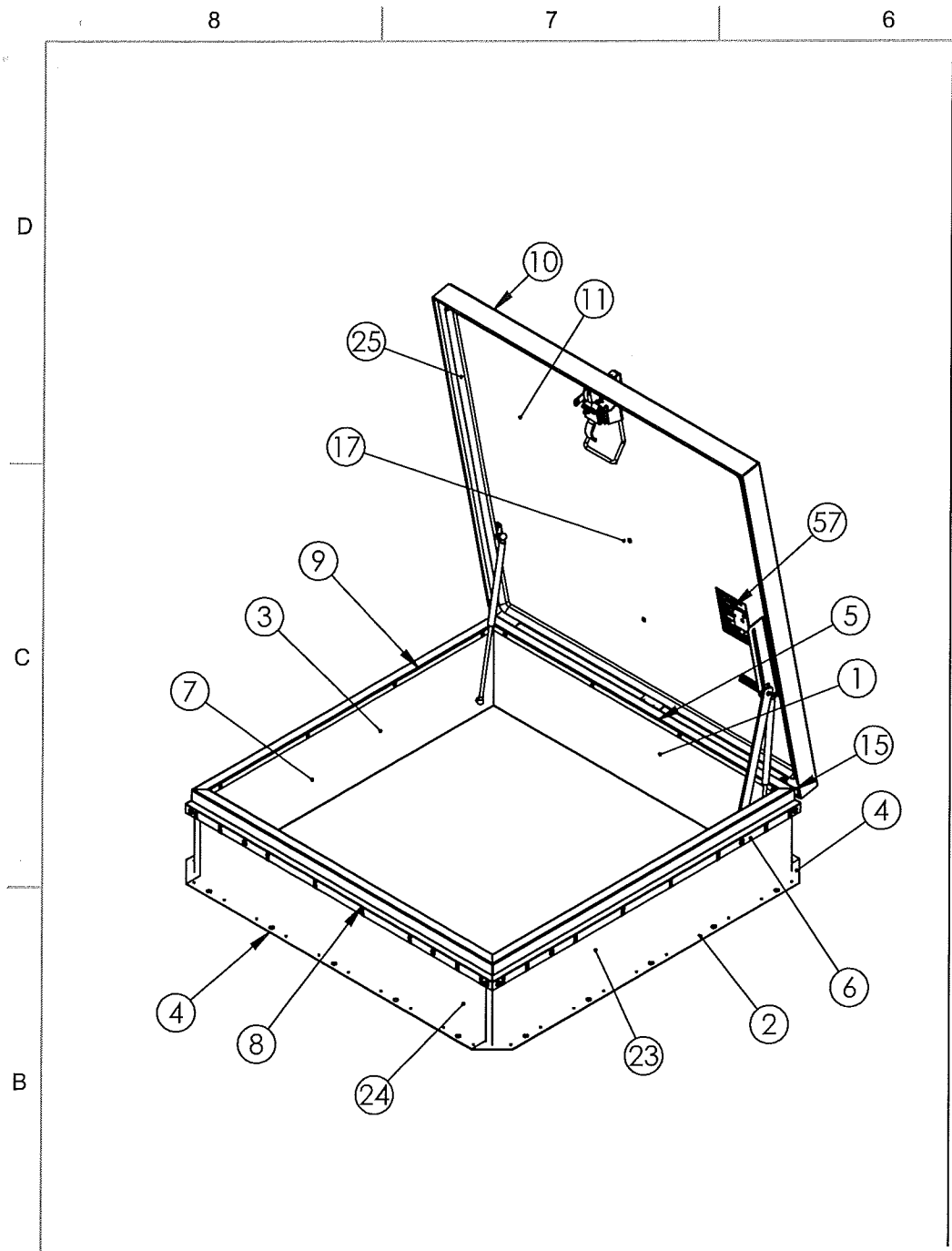
1. Statement letter of code conformance to 7<sup>th</sup> edition (2020) of the FBC, issued by Rice Engineering, dated 11/15/2021, signed and sealed by Wayne K. Helmila, P.E.
2. Statement letter of no financial interest, issued by Rice Engineering, dated 11/15/2021, signed and sealed by Wayne K. Helmila, P.E.



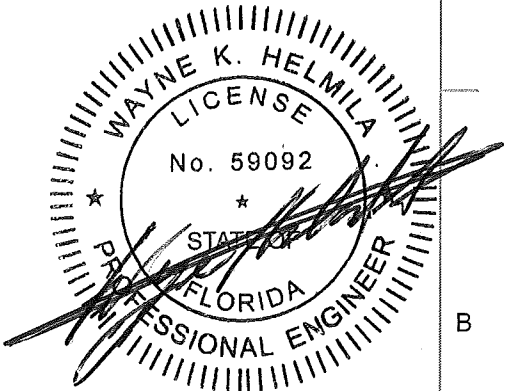
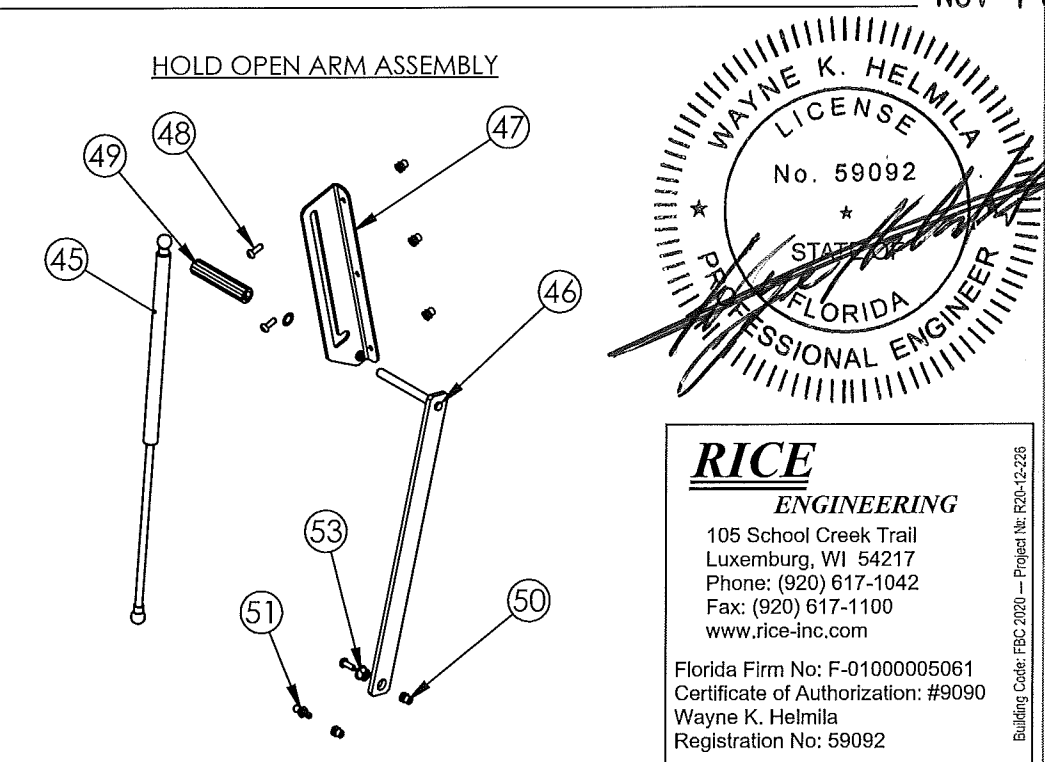
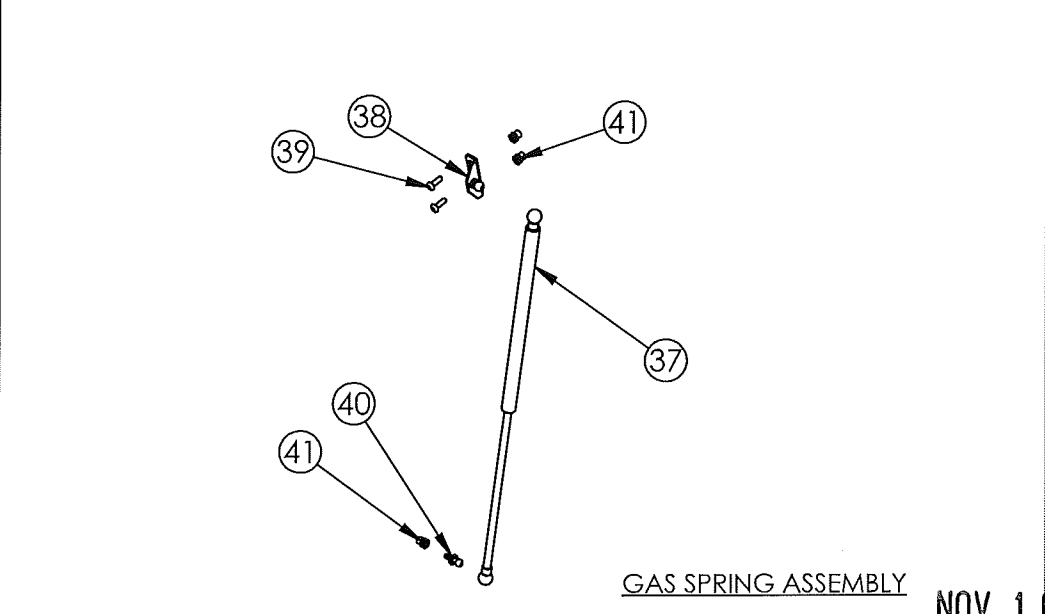
---

**Carlos M. Utrera, P.E.**  
**Product Control Examiner**  
**NOA No. 21-1201.01**  
**Expiration Date: May 25, 2027**  
**Approval Date: January 27, 2022**





REVISIONS			
REV	DESCRIPTION	DATE	APPROVED
A	INITIAL RELEASE	10/10/16	IMT
B	ADDED HINGE DETAIL PG. 1; ADDED DETAIL VIEW TITLES PG. 1; UPDATED MAT'L, PG. 6,7,8; NOTE 7 PG. 1 TO READ 'ALUMINUM DESIGN MANUAL' ACRONYMS PG. 2; ADDED MODEL# NOTE PG.2	3/17/17	IMT
C	CORRECTED TYPOS, REMOVED NOTCHES FROM LATCH STIFFENER	11/9/21	AMB



**RICE**  
ENGINEERING  
105 School Creek Trail  
Luxemburg, WI 54217  
Phone: (920) 617-1042  
Fax: (920) 617-1100  
www.rice-inc.com  
Florida Firm No: F-01000005061  
Certificate of Authorization: #9090  
Wayne K. Helmila  
Registration No: 59092

- NOTES:
- 1) THE DESIGN CONTAINED HEREIN IS DESIGNED AND TESTED IN ACCORDANCE WITH THE FLORIDA BUILDING CODE: TEST PROTOCOL TAS-201, TAS 202, TAS-203
  - 2) THE SHORT TERM LOAD FACTOR HAS NOT BEEN USED.
  - 3) PRODUCT APPROVED UP TO A INSIDE AREA OF 16.00 SF (WIDTH \* LENGTH ≤ 16.00 SF).
  - 4) ATTACHMENT TO STRUCTURE SHALL MEET THE FOLLOWING ALLOWABLE LOAD CONDITIONS. THE VALUES PROVIDED ASSUME THE ATTACHMENT DIRECTLY TO THE STRUCTURAL ELEMENTS WITHOUT SPACE. ALLOWABLE MINIMUM LOAD VALUES PULLOUT: 1,120 LBS. SHEAR: 324 LBS.
  - 5) USE THE FASTENER MANUFACTURERS RECOMMENDED SAFETY FACTORS. IF DIFFERENT CONDITIONS EXIST, CONTACT NYSTROM OR A FLORIDA LICENSED ENGINEER FOR CONSULTATION.
  - 6) ALL LABELS TO BE LOCATED IN APPROXIMATE LOCATIONS AS SHOWN.
  - 7) PROTECTION BETWEEN ALUMINUM & DISSIMILAR MATERIALS MUST BE PROVIDED PER ALUMINUM DESIGN MANUAL

**PRODUCT REVISED**  
as complying with the Florida Building Code  
NOA-No. 21-1201.01  
Expiration Date 05/25/2027  
By *[Signature]*  
Miami-Dade Product Control

DESIGN PRESSURE RATING	IMPACT RATING	WATER FILTRATION
+/- 70 PSF	LARGE MISSILE IMPACT	100%DP WITH ZERO WATER FILTRATION

<b>nystrom</b>		TITLE: Roof Hatch, Hurricane Zone Series Single Door, Single Wall Curb Single Point Latch	
9300 73rd Avenue North Minneapolis, MN 55428		SIZE DWG. NO.	REV
NAME	DATE	B DOOR HATCH ASSEMBLY	C
DRAWN DKL	10/10/2016		
RELEASED IMT	3/21/2017	WEIGHT: Weight	SHEET 01 OF 16

NOV 16 2021

Building Code: FBC 2020 - Project No: R20-12-226

ITEM	QTY.	PART NUMBER	DESCRIPTION
<b>CURB ASSEMBLY</b>			
1	1	CurbHinge	CURB - HINGE SIDE
2	1	CurbBottom	CURB - BOTTOM SIDE
3	1	CurbTop	CURB - TOP SIDE
4	1	CurbLatch	CURB - LATCH SIDE
<b>CAP FLASH ASSEMBLY</b>			
5	1	CflshHinge	CAP FLASH - HINGE SIDE
6	1	CflshBtm	CAP FLASH - BOTTOM SIDE
7	1	CflshTop	CAP FLASH - TOP SIDE
8	1	CflshLatch	CAP FLASH - LATCH SIDE
9	22	28544	BUTTON HD TORX SCREW, 1/4 x .75, 3 PT, (ZPS)
<b>COVER ASSEMBLY</b>			
10	1	Cover	COVER
11	1	Liner	COVER LINER
12	2	Stiffener Side	STIFFENER - TOP/BOTTOM
13	1	Stiffer Latch	STIFFENER - LATCH SIDE
14	1	Stiffener Mid	STIFFENER - MIDDLE
15	3	28719	ASSY, HINGE, (ZPS)
17	20	28544	BUTTON HD TORX SCREW, 1/4 x .75, 3 PT, (ZPS)
18	9	4359	RIVNUT, 1/4-20, .027-.165 GRIP
19	1	29898	BRKT, SUPPORT, HINGE, (ZPS)
<b>INSULATION AND GASKET</b>			
23	2	RHInsulationTopBottom	INSULATION, 1" POLY ISO R-6
24	2	RHInsulationLatchHinge	INSULATION, 1" POLY ISO R-6
25	1	RHGasketCover	GASKET, RH, (EPDM), 1.125" x 0.655" CLOSED CELL FOAM
<b>LATCH ASSEMBLY - SINGLE POINT</b>			
27	1	29860	HDL, PADLOCKING, STL, (ZPS)
28	1	29870	HANDLE
29	1	29903	NUT, PUSH, TINNERMAN, 5/16 SQ, (BLK PHOS)
30	1	1297	LATCH, SLAM, (ZPS)
31	7	28544	BUTTON HD TORX SCREW, 1/4 x .75, 3 PT, (ZPS)
32	1	30336	BRKT, LATCH CATCH
33	4	4359	RIVNUT, 1/4-20, .027-.165 GRIP (ALUM)
34	1	30337	BRKT, LATCH, SUPPORT

ITEM	QTY	PART NUMBER	DESCRIPTION
<b>GAS SPRING ASSEMBLY</b>			
37	1	29880	GAS SPRING, 56 LBF
37	1	29881	GAS SPRING, 112 LBF
38	1	29878	BRKT, BALL STUD, SPG, (ZPS)
39	2	28544	BUTTON HD TORX SCREW, 1/4 x .75, 3 PT, (ZPS)
40	1	29879	BALL STUD, 10MM, 1/4-20, (ZPS)
41	3	4359	RIVNUT, 1/4-20, .027-.165 GRIP (ALUM)
<b>LIFTING/HINGE SUPPORT ASSEMBLY</b>			
45	1	29880	GAS SPRING, 56 LBF
45	1	29881	GAS SPRING, 112 LBF
46	1	29863	ARM, HOA, STL, (ZPS)
47	1	29890	BRKT, HOA/SPG, (ZPS)
48	4	28544	BUTTON HD TORX SCREW, 1/4 x .75, 3 PT, (ZPS)
49	1	2934	HDL, RED GRIP, (VINYL)
50	5	4359	RIVNUT, 1/4-20, .027-.165 GRIP (ALUM)
51	1	29879	BALL STUD, 10MM, 1/4-20, (ZPS)
53	1	29895	BEARING, HOA, (ZPS)
<b>LABELS &amp; MISC.</b>			
56	1	29905	LABEL, 4" x 6", MODEL NUMBER
57	1	29906	LABEL, HANDLE RELEASE
58	1	29907	LABEL, INSTALLATION, 5X7,
59	-	-	2" FIBERGLASS TAPE
60	-	28096	SILICONE

**STANDARD MODEL NUMBERS:**

G3630 A3630  
G3636 A3636  
G3054 A3054  
G4848 A4848

**NOTE:**

NUMBER OF ANCHORS RANGES BETWEEN 2 AND 4 PER SPACING DIMENSIONS ON SHEET 4.

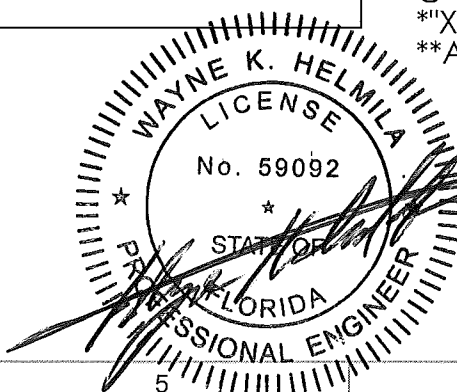
**CUSTOM MODEL NUMBERS:**

A W X\* L (WHERE W = 18" - 48" AND L = 18" - 60")\*\*  
G W X\* L (WHERE W = 18" - 48" AND L = 18" - 60")\*\*  
\*\*"X" OMITTED ON NON-FRACTIONAL WIDTH AND LENGTHS  
\*\*AREA NOT TO EXCEED 16 SQ. FT.

**RICE**  
**ENGINEERING**  
105 School Creek Trail  
Luxemburg, WI 54217  
Phone: (920) 617-1042  
Fax: (920) 617-1100  
www.rice-inc.com  
Florida Firm No: F-01000005061  
Certificate of Authorization: #9090  
Wayne K. Helmila  
Registration No: 59092

- ▷ MATERIAL THICKNESS TO BE DIFFERENT ON STEEL AND ALUMINUM MODELS
- △ QTY VARIES PER HATCH SIZE
- ③ REQUIRED ON ALUMINUM VERNONS
- ④ NOT REQUIRED ON ALUMINUM VERNONS
- ⑤ NOT SHOWN ON ASSEMBLY

**PRODUCT REVISED**  
as complying with the Florida Building Code  
NOA-No. 21-1201.01  
Expiration Date 05/25/2027  
By *[Signature]*  
Miami-Dade Product Control



NOV 16 2021

<b>nystrom</b>		TITLE: Roof Hatch, Hurricane Zone Series Single Door, Single Wall Curb Single Point Latch	
9300 73rd Avenue North Minneapolis, MN 55428		SIZE DWG. NO.	REV
NAME	DATE	B	C
DKL	10/10/2016		
RELEASED	IMT	DOOR HATCH ASSEMBLY	
WEIGHT: Weight		SHEET 02 OF 16	

D

C

B

A

D

C

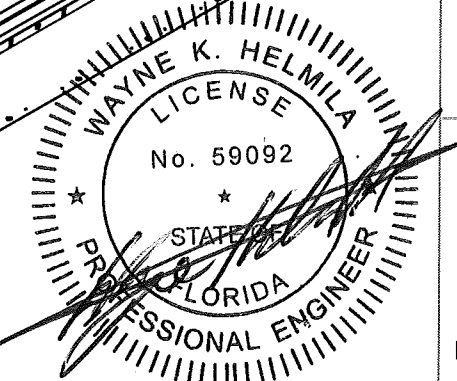
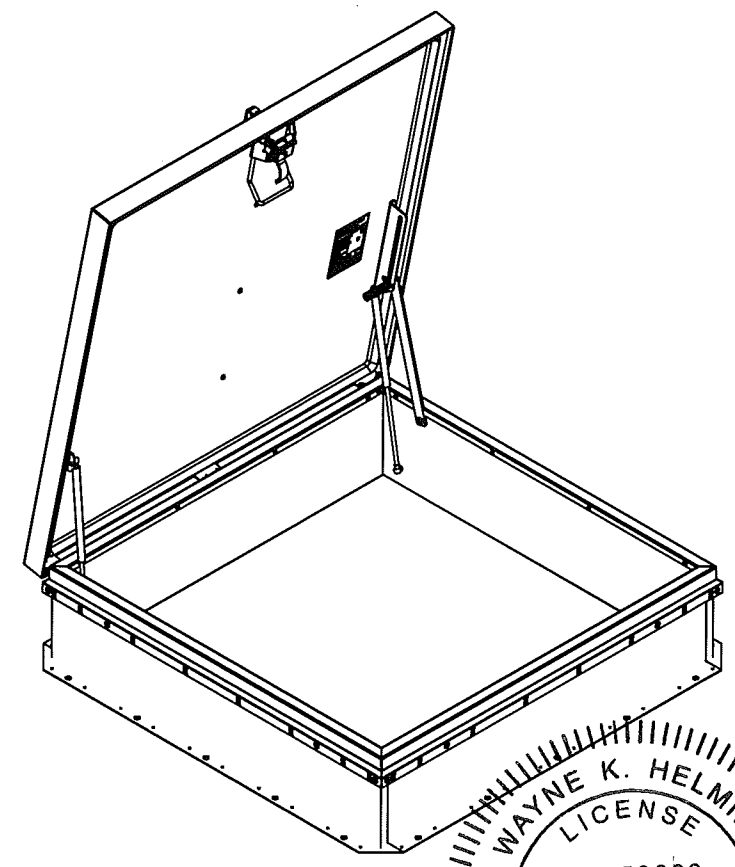
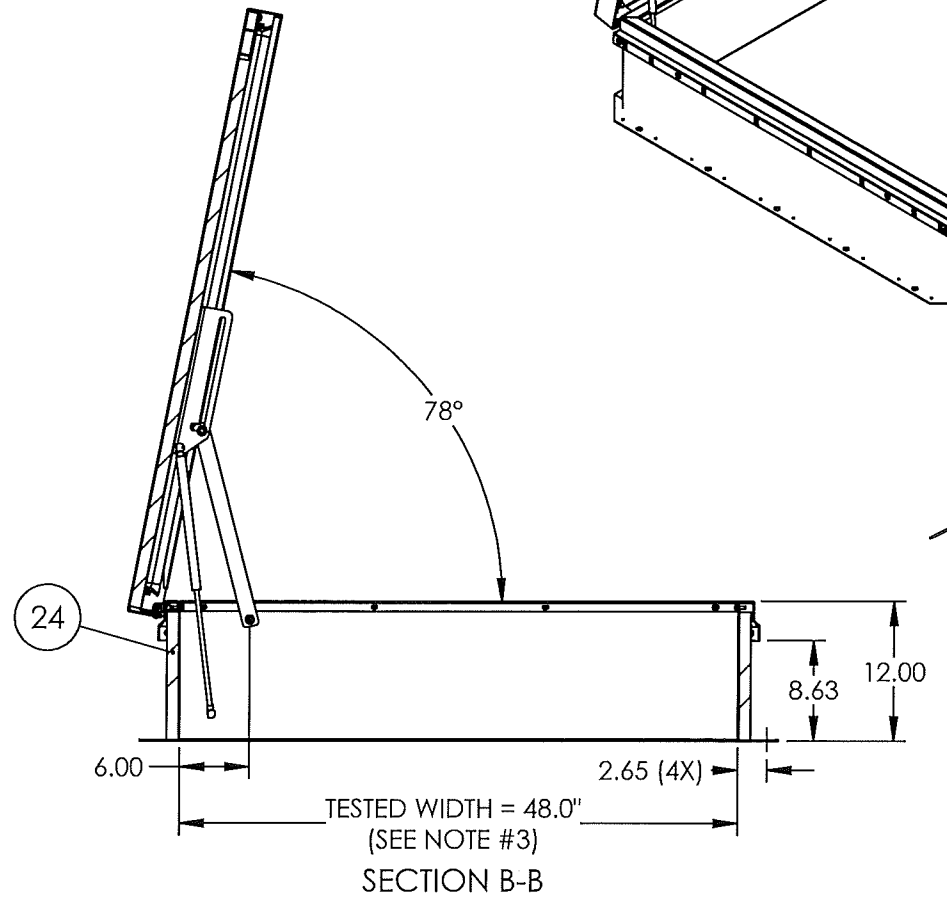
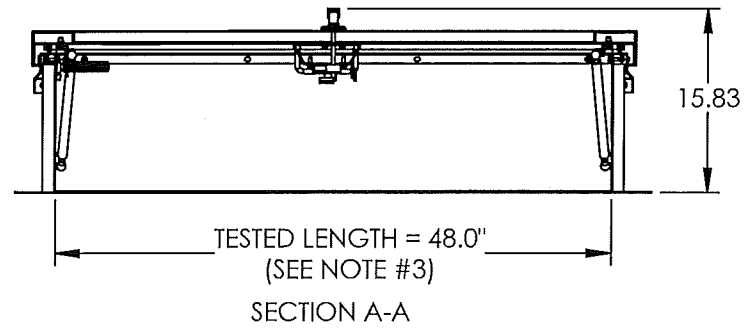
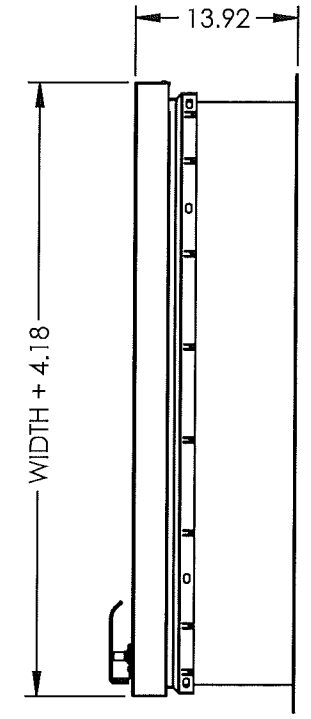
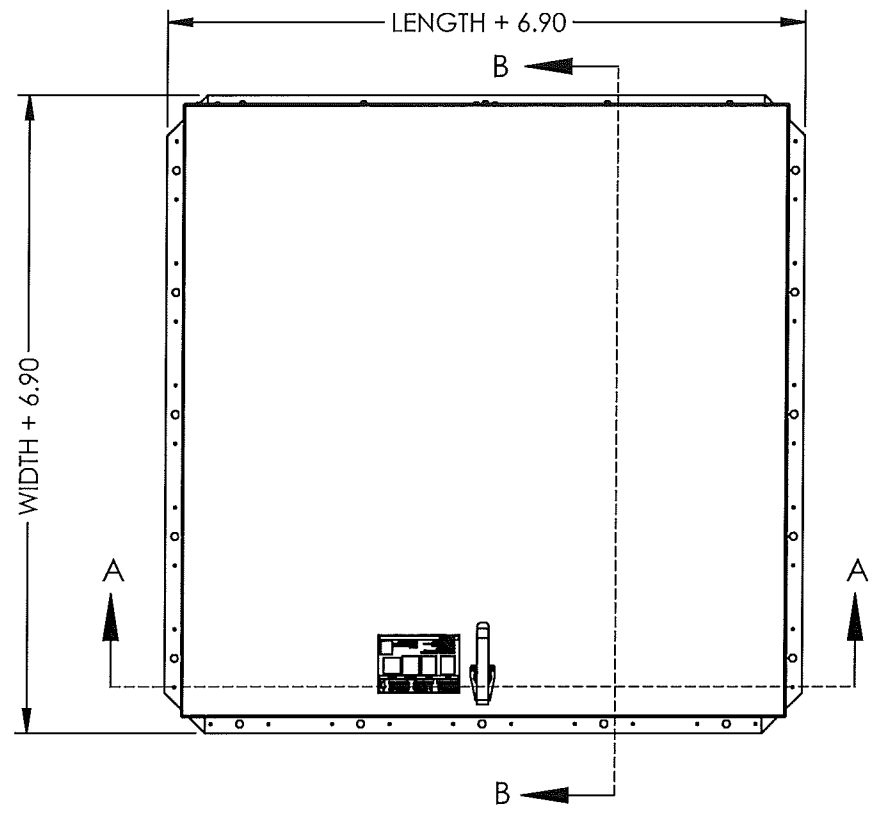
B

A



8 7 6 5 4 3 2 1

D  
C  
B  
A



NOV 16 2021

**RICE**  
ENGINEERING

105 School Creek Trail  
Luxemburg, WI 54217  
Phone: (920) 617-1042  
Fax: (920) 617-1100  
www.rice-inc.com

Florida Firm No: F-01000005061  
Certificate of Authorization: #9090  
Wayne K. Helmila  
Registration No: 59092

Building Code: FBC 2020 - Project No: R201-12-226

**PRODUCT REVISED**  
as complying with the Florida  
Building Code  
NOA-No. 21-1201.01  
Expiration Date 05/25/2027  
By *[Signature]*  
Miami-Dade Product Control

		TITLE: Roof Hatch, Hurricane Zone Series Single Door, Single Wall Curb Single Point Latch	
9300 73rd Avenue North Minneapolis, MN 55428		SIZE DWG. NO.	REV
NAME	DATE	B	C
DKL	10/10/2016		
RELEASED	IMT	DOOR HATCH ASSEMBLY	
WEIGHT: Weight		SHEET 03 OF 16	

8 7 6 5 4 3 2 1

8

7

6

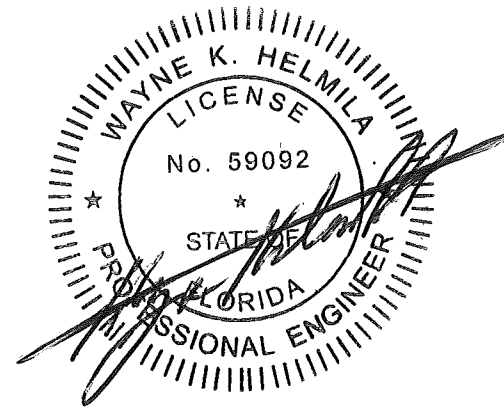
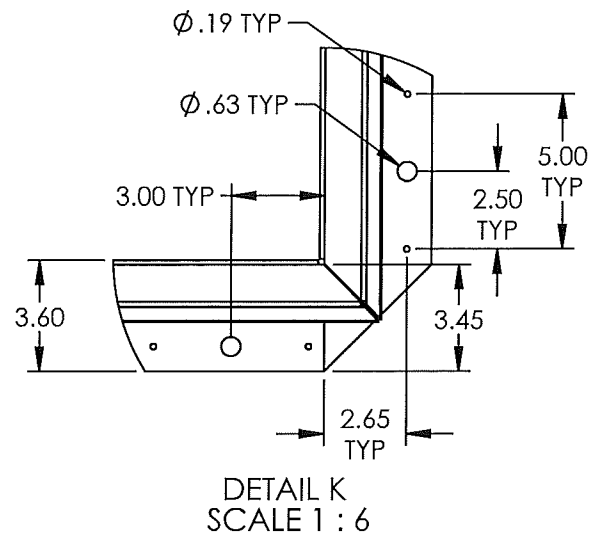
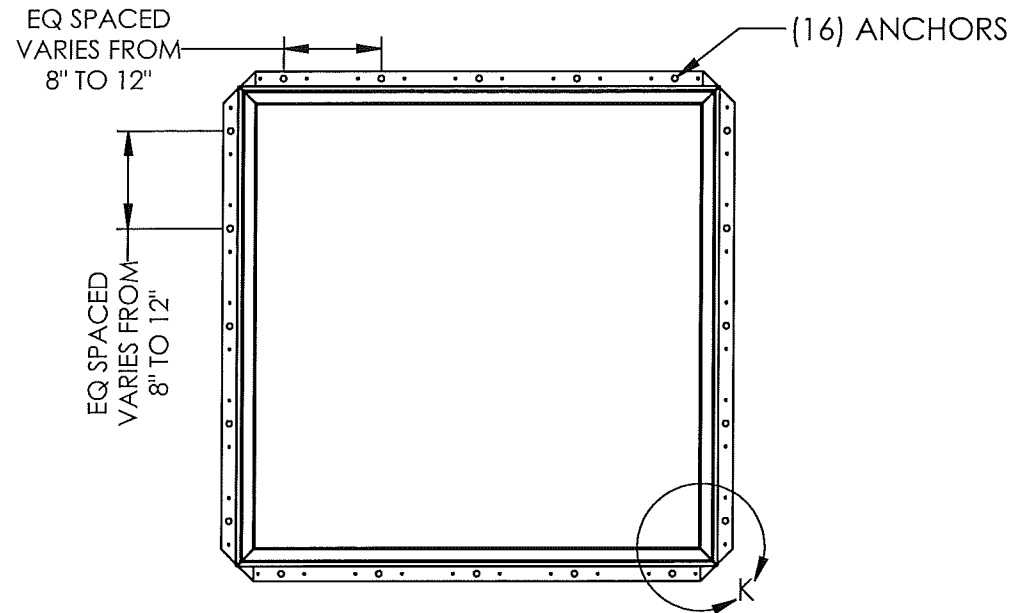
5

4

3

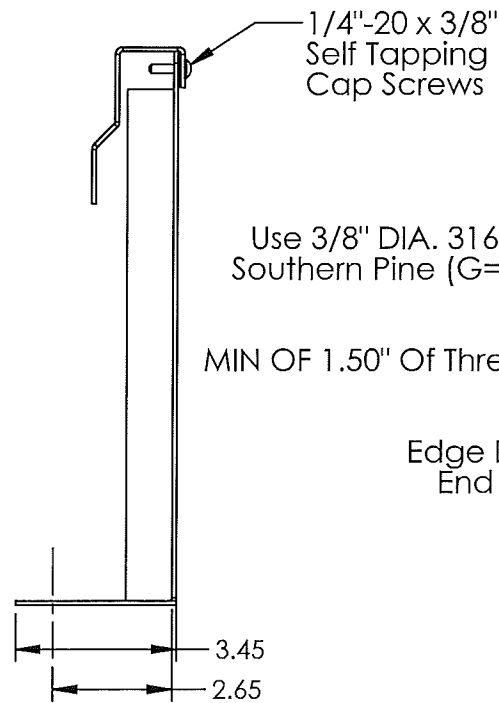
2

1

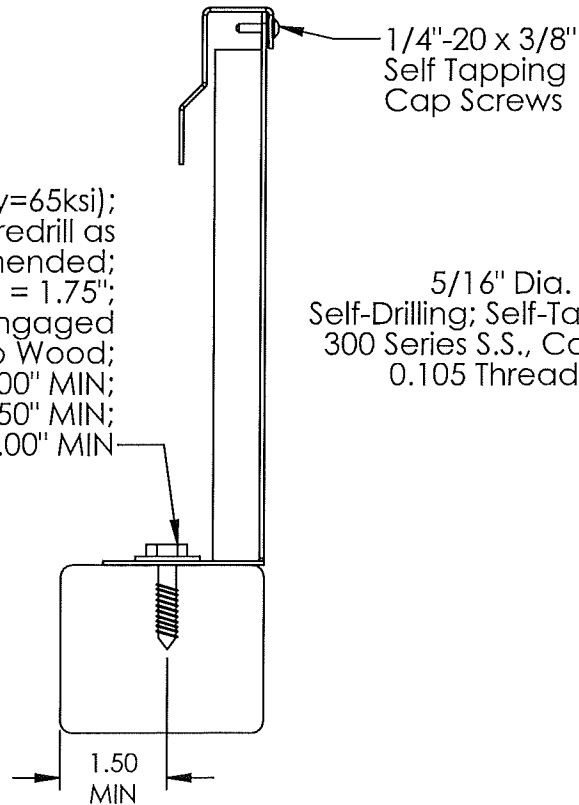


NOV 16 2021

1/4"-20 x 3/8"  
Self Tapping  
Cap Screws

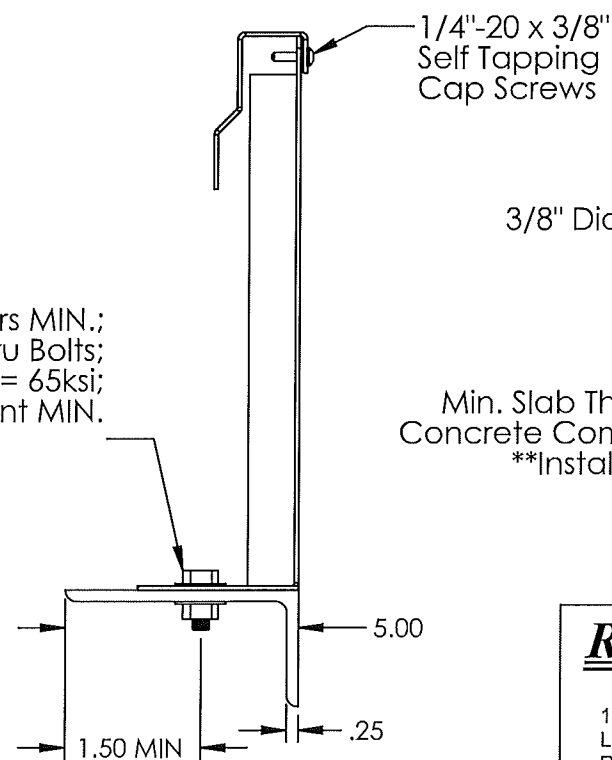


Use 3/8" DIA. 316 Lag Bolts (Fy=65ksi);  
Southern Pine (G=0.55MIN) - Pre-drill as  
Recommended;  
Penetration = 1.75";  
MIN OF 1.50" Of Threads to be Engaged  
into Wood;  
Spacing: 3.00" MIN;  
Edge Distance: 1.50" MIN;  
End Distance: 6.00" MIN



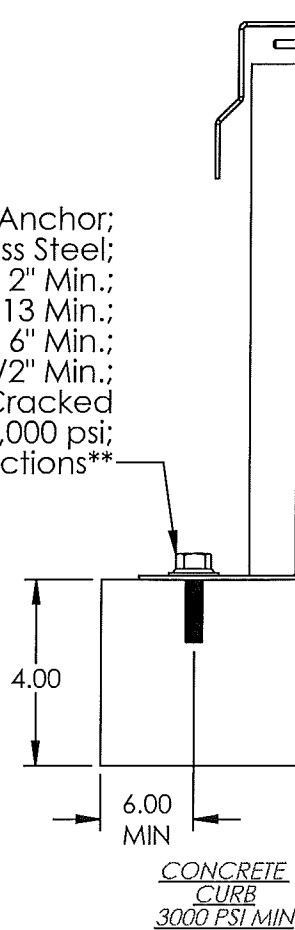
WOOD  
CURB  
WOOD S.G. = 0.55 MIN

5/16" Dia. S.S. Fasteners MIN.;  
Self-Drilling; Self-Tapping or Thru Bolts;  
300 Series S.S., Cond. CW, Fy = 65ksi;  
0.105 Thread Engagement MIN.



STEEL  
CURB  
(Fy = 33Ksi MIN)  
(THICKNESS = 0.105" MIN.)

3/8" Dia. S.S. Kwik Bolt TZ Wedge Anchor;  
316 Stainless Steel;  
Eff. Embedment Depth: 2" Min.;  
Install Depth: 2.313 Min.;  
Edge Distance: 6" Min.;  
Spacing: 4 1/2" Min.;  
Min. Slab Thickness: 4" - Normal Wt., Cracked  
Concrete Compressive Strength: f'c = 3,000 psi;  
\*\*Install Per Manufacturer's Instructions\*\*



CONCRETE  
CURB  
3000 PSI MIN

**PRODUCT REVISED**  
as complying with the Florida  
Building Code

NOA-No. 21-1201.01

Expiration Date 05/25/2027

By *R. J. [Signature]*  
Miami-Dade Product Control

CURB  
DETAIL

ANCHORING DETAIL  
OPTIONS

NOTE: Anchorage designed for 70 psf Lateral and 70 psf Uplift (Applied Independently)

**RICE**  
ENGINEERING  
105 School Creek Trail  
Luxemburg, WI 54217  
Phone: (920) 617-1042  
Fax: (920) 617-1100  
www.rice-inc.com  
Florida Firm No: F-01000005061  
Certificate of Authorization: #9090  
Wayne K. Helmila  
Registration No: 59092

Building Code: FBC 2020 - Project No: R21-12-226



9300 73rd Avenue North  
Minneapolis, MN 55428

TITLE:  
Roof Hatch, Hurricane Zone Series  
Single Door, Single Wall Curb  
Single Point Latch

	NAME	DATE	SIZE	DWG. NO.	REV
DRAWN	DKL	10/10/2016	B	DOOR HATCH ASSEMBLY	C
RELEASED	IMT	3/21/2017			
			WEIGHT: Weight	SHEET 04 OF 16	

8

7

6

5

4

3

2

1

8

7

6

5

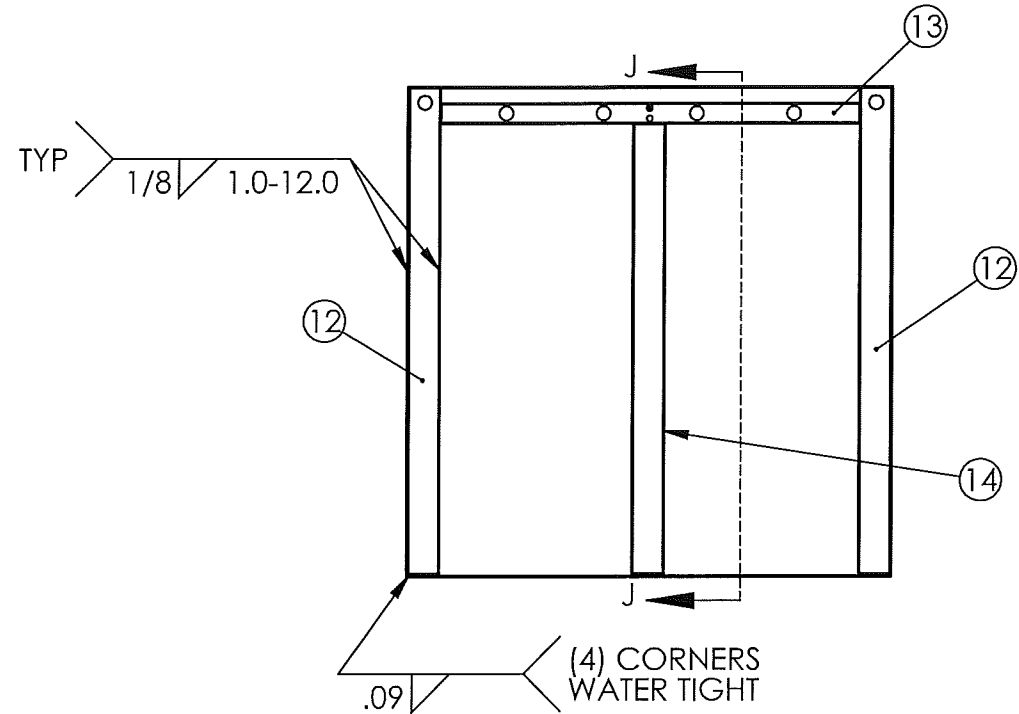
4

3

2

1

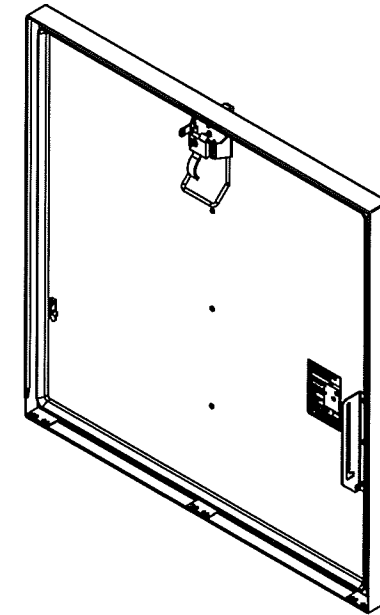
COVER WELDMENT



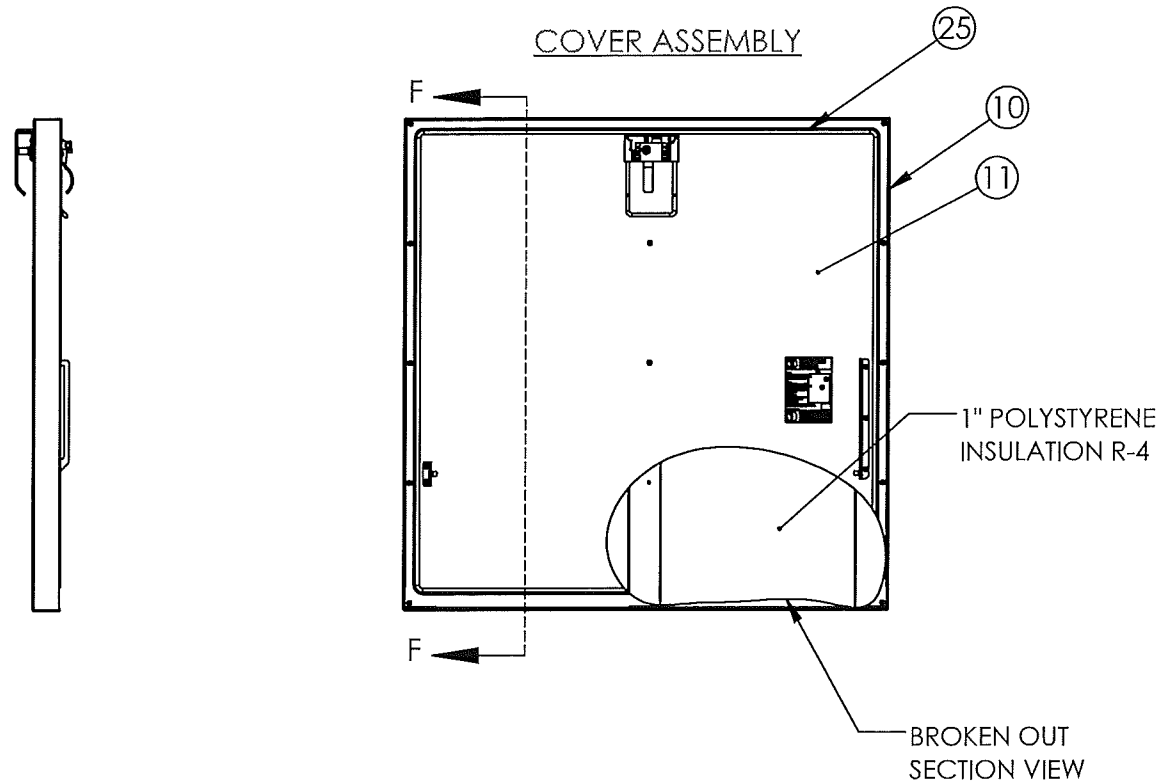
SECTION J-J



**PRODUCT REVISED**  
 as complying with the Florida  
 Building Code  
 NOA-No. 21-1201.01  
 Expiration Date 05/25/2027  
 By *[Signature]*  
 Miami-Dade Product Control



COVER ASSEMBLY



SECTION F-F



**RICE**  
 ENGINEERING  
 105 School Creek Trail  
 Luxemburg, WI 54217  
 Phone: (920) 617-1042  
 Fax: (920) 617-1100  
 www.rice-inc.com  
 Florida Firm No: F-01000005061  
 Certificate of Authorization: #9090  
 Wayne K. Helmila  
 Registration No: 59092

Building Code: FBC 2020 - Project No: R20-12-228



9300 73rd Avenue North  
 Minneapolis, MN 55428

TITLE:  
 Roof Hatch, Hurricane Zone Series  
 Single Door, Single Wall Curb  
 Single Point Latch

	NAME	DATE	SIZE	DWG. NO.	REV
DRAWN	DKL	10/10/2016	B	DOOR HATCH ASSEMBLY	C
RELEASED	IMT	3/21/2017			

WEIGHT: Weight SHEET 05 OF 16

8

7

6

5

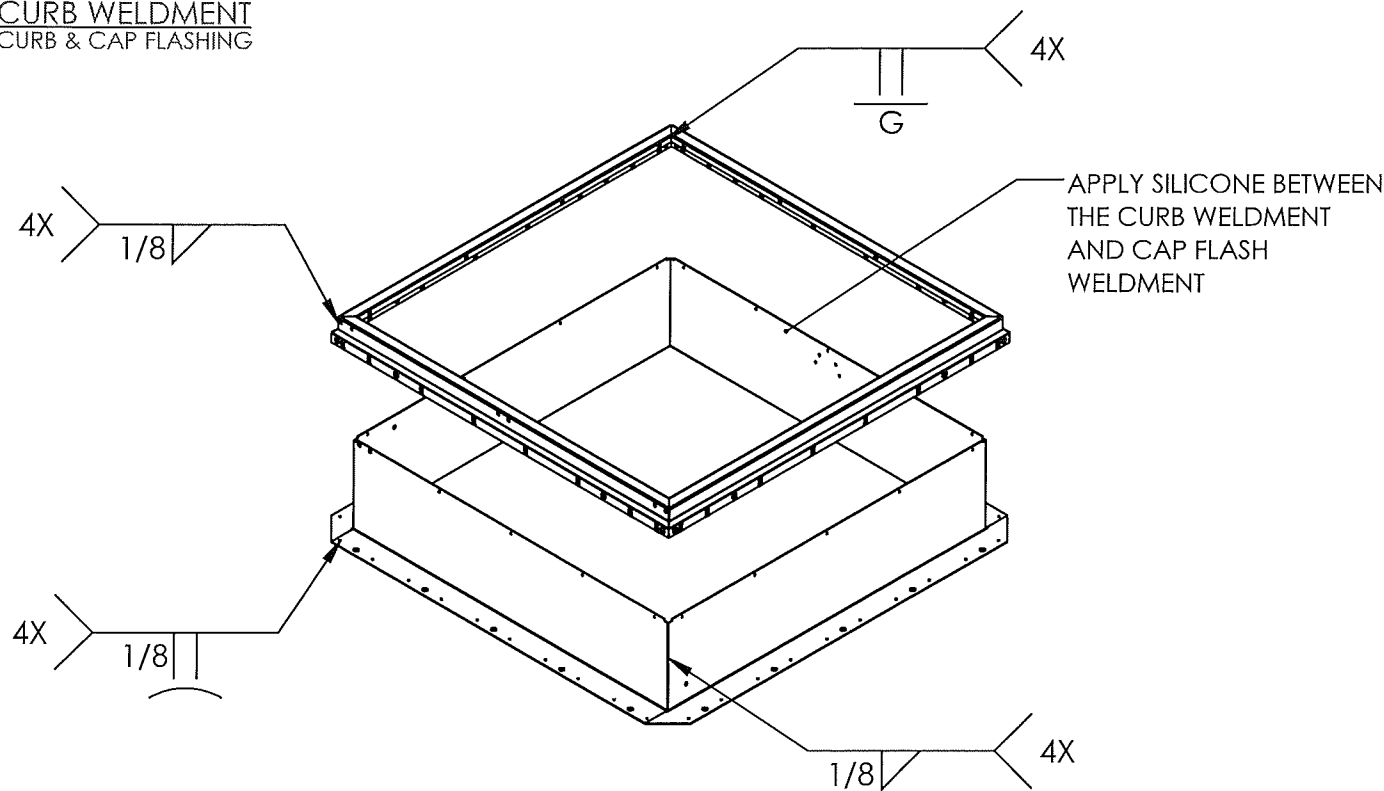
4

3

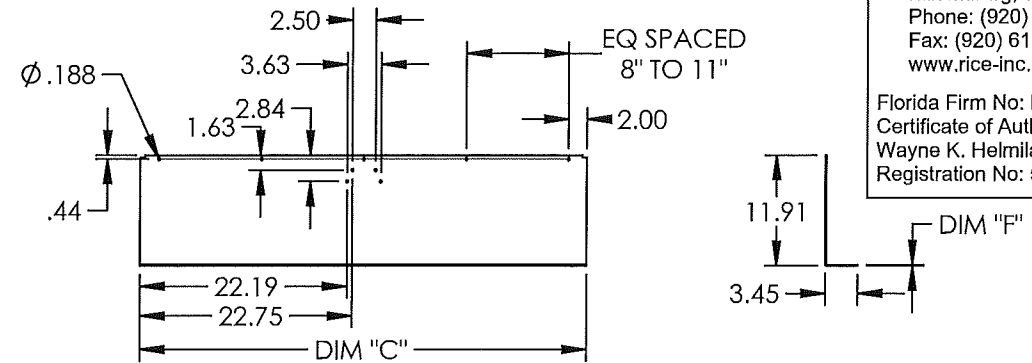
2

1

**CURB WELDMENT**  
CURB & CAP FLASHING



**LATCH CURB**



**RICE ENGINEERING**

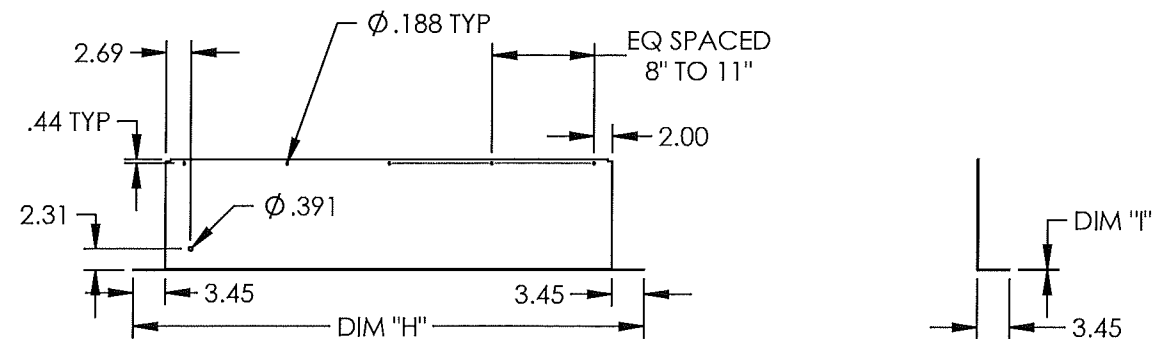
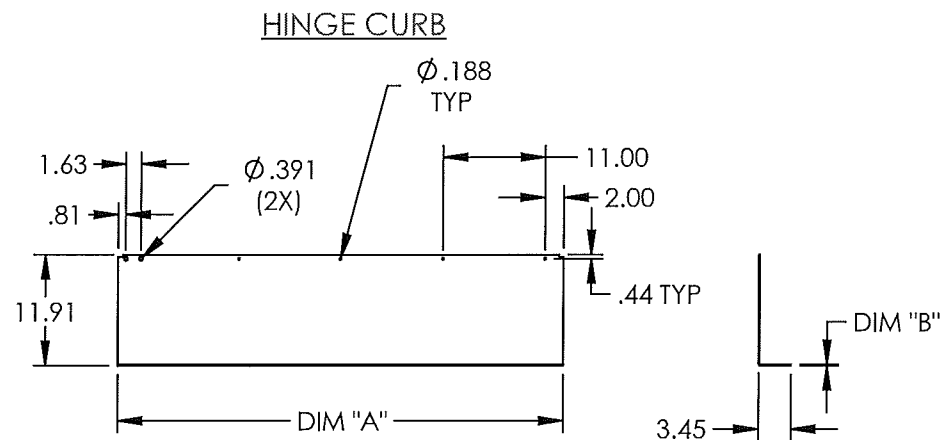
105 School Creek Trail  
Luxemburg, WI 54217  
Phone: (920) 617-1042  
Fax: (920) 617-1100  
www.rice-inc.com

Florida Firm No: F-01000005061  
Certificate of Authorization: #9090  
Wayne K. Helmila  
Registration No: 59092

Building Code: FBC 2020 -- Project No: R20-12-245

HATCH MATERIAL	DIM "C"	DIM "D"	DIM "E"	DIM "F"
GALVANEAL A653, 33KSI MIN	LENGTH	LENGTH/2 - 1.25	ø.218	.075 (14GA)
ALUMINUM 3003-H14	LENGTH	LENGTH/2 - 1.25	ø.391	.090 (11GA)

**TOP & BOTTOM CURB**



CURB	HATCH MATERIAL	DIM "H"	DIM "I"
TOP CURB	GALVANEAL A653, 33KSI MIN	WIDTH + 6.9	.075 (14GA)
TOP CURB	ALUMINUM 3003-H14	WIDTH + 6.9	.090 (11GA)
BOTTOM CURB	GALVANEAL A653, 33KSI MIN	WIDTH + 6.9	.075 (14GA)
BOTTOM CURB	ALUMINUM 3003-H14	WIDTH + 6.9	.090 (11GA)

HATCH MATERIAL	DIM "A"	DIM "B"
GALVANEAL A653, 33KSI MIN	LENGTH	.075 (14GA)
ALUMINUM 3003-H14	LENGTH	.090 (11GA)

**PRODUCT REVISED**  
as complying with the Florida  
Building Code  
NOA-No. 21-1201.01  
Expiration Date 05/25/2027

By *[Signature]*  
Miami-Dade Product Control



9300 73rd Avenue North  
Minneapolis, MN 55428

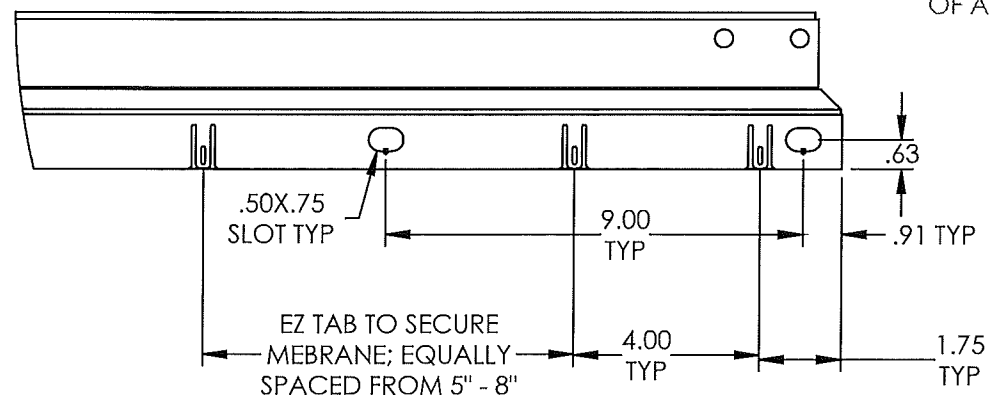
TITLE:  
Roof Hatch, Hurricane Zone Series  
Single Door, Single Wall Curb  
Single Point Latch

NAME	DATE	SIZE	DWG. NO.	REV
DRAWN DKL	10/10/2016	B	DOOR HATCH ASSEMBLY	C
RELEASED IMT	3/21/2017	WEIGHT: Weight	SHEET 06 OF 16	

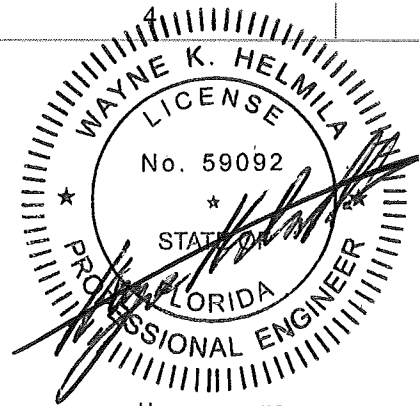


CAP FLASHING TYP  
EZ TAB LOCATIONS  
AND SAFETY RAIL  
MOUNTING HOLES

NOTE:  
EZ TAB AND SAFETY RAIL  
MOUNTING HOLE DIMENSIONS  
ARE TYPICAL FROM BOTH ENDS  
OF ALL TYPES OF CAP FLASH.



HATCH MATERIAL	DIM "J"	DIM "K"
GALVANEAL A653, 33KSI MIN	LENGTH + 3.51	.075 (14GA)
ALUMINUM 3003-H14	LENGTH + 3.51	.090 (11GA)



LATCH CAP FLASHING

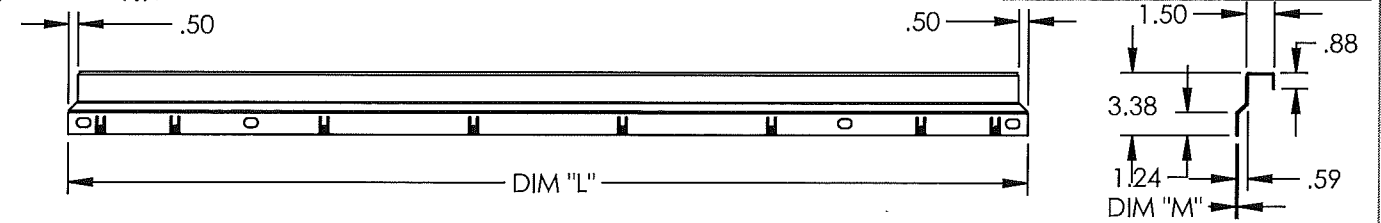
NOV 16 2021

**RICE**  
ENGINEERING

105 School Creek Trail  
Luxemburg, WI 54217  
Phone: (920) 617-1042  
Fax: (920) 617-1100  
www.rice-inc.com

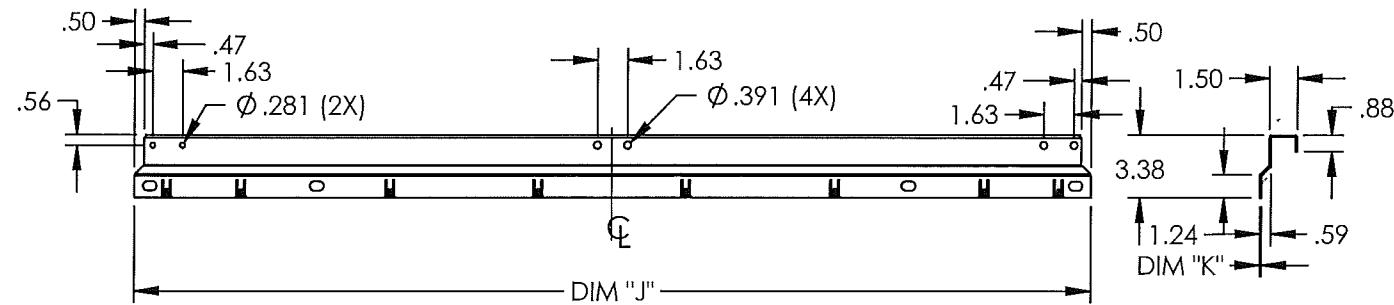
Florida Firm No: F-01000005061  
Certificate of Authorization: #9090  
Wayne K. Helmila  
Registration No: 59092

Building Code: FBC 2020 - Project No: R20-12-226



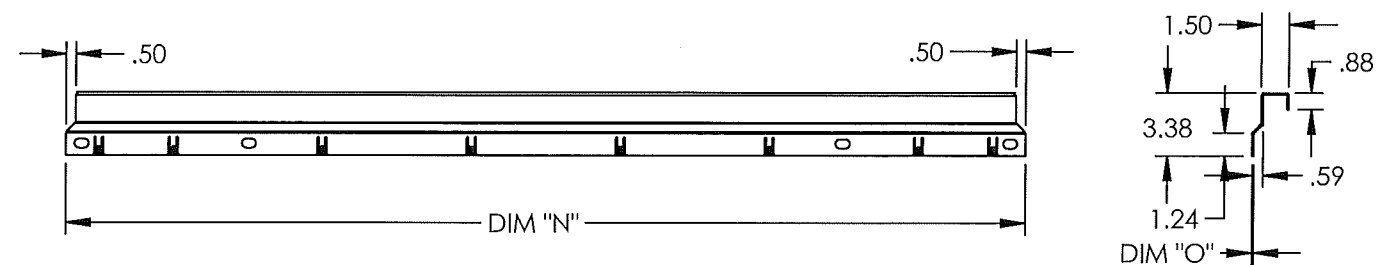
HATCH MATERIAL	DIM "L"	DIM "M"
GALVANEAL A653, 33KSI MIN	LENGTH + 3.51	.075 (14GA)
ALUMINUM 3003-H14	LENGTH + 3.51	.090 (11GA)

HINGE CAP FLASHING



HATCH MATERIAL	DIM "J"	DIM "K"
GALVANEAL A653, 33KSI MIN	LENGTH + 3.51	.075 (14GA)
ALUMINUM 3003-H14	LENGTH + 3.51	.090 (11GA)

TOP & BOTTOM CAP FLASHING



HATCH MATERIAL	DIM "N"	DIM "O"
GALVANEAL A653, 33KSI MIN	WIDTH + 3.56	.075 (14GA)
ALUMINUM 3003-H14	WIDTH + 3.56	.090 (11GA)

**PRODUCT REVISED**  
as complying with the Florida  
Building Code

NOA-No. 21-1201.01

Expiration Date 05/25/2027

By *[Signature]*  
Miami-Dade Product Control

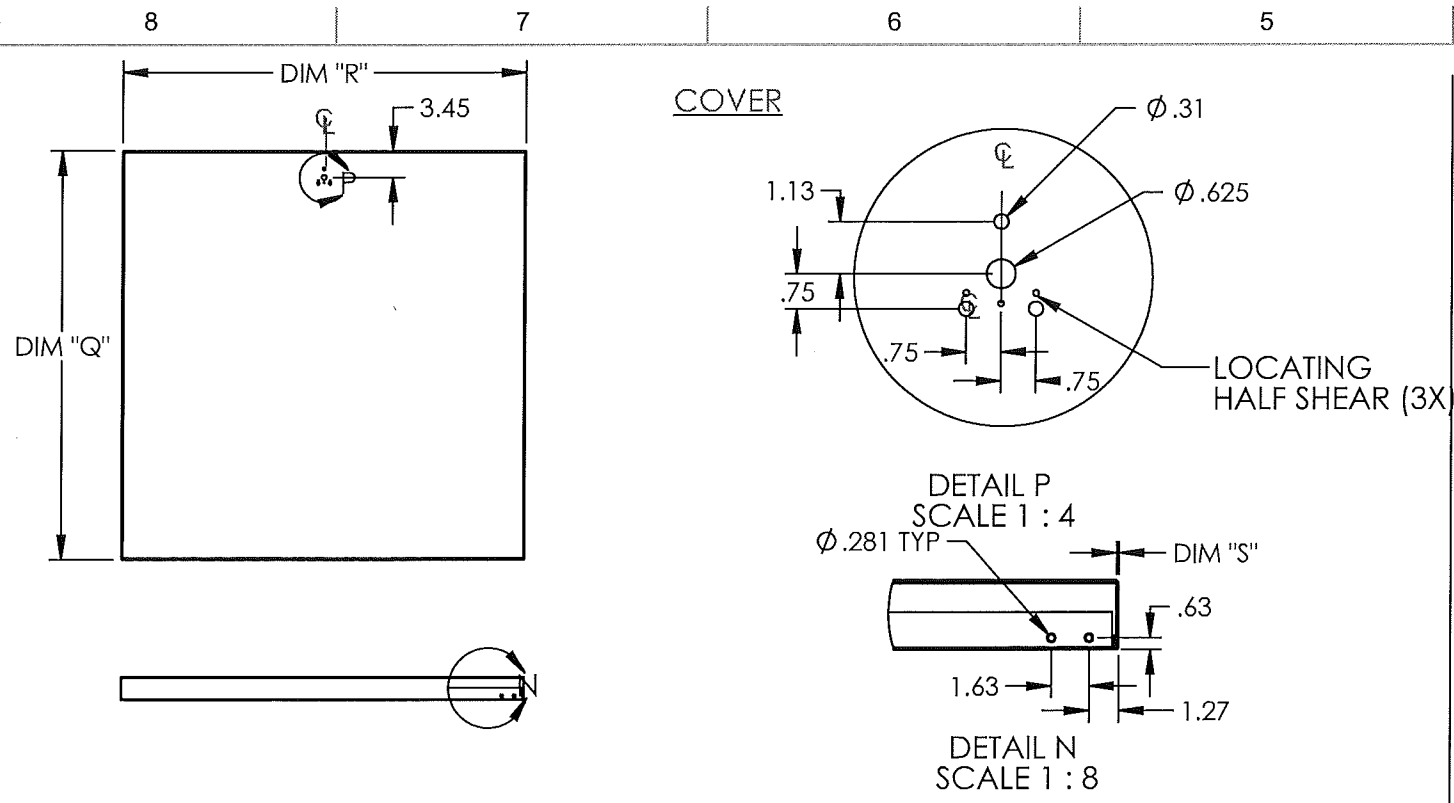


9300 73rd Avenue North  
Minneapolis, MN 55428

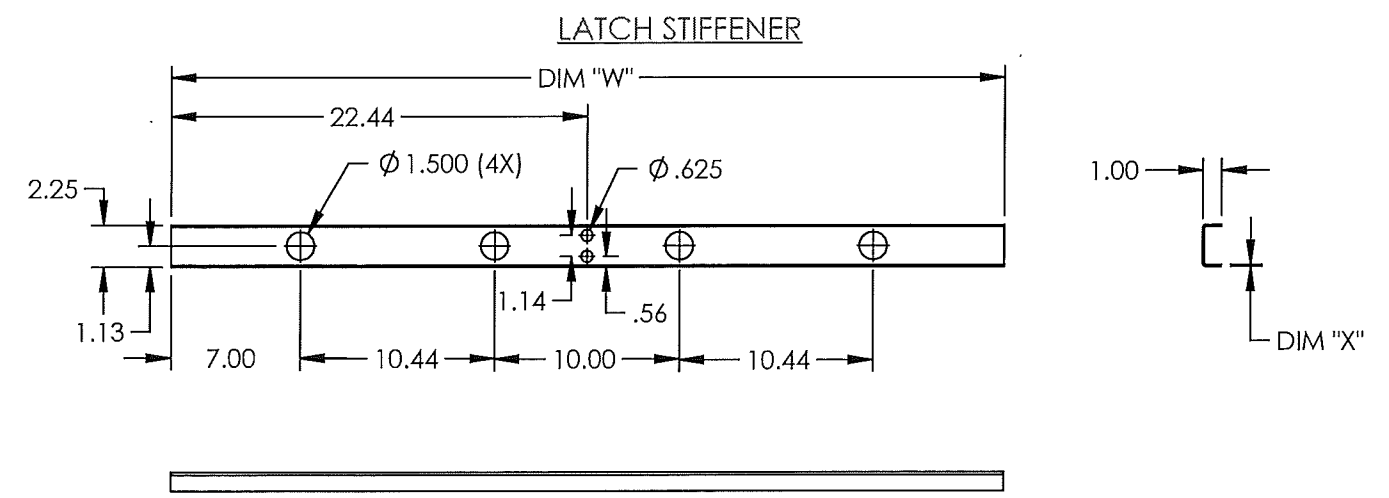
TITLE:  
Roof Hatch, Hurricane Zone Series  
Single Door, Single Wall Curb  
Single Point Latch

NAME	DATE	SIZE	DWG. NO.	REV
DRAWN: DKL	10/10/2016	B	DOOR HATCH ASSEMBLY	C
RELEASED: IMT	3/21/2017	WEIGHT: Weight		SHEET 07 OF 16

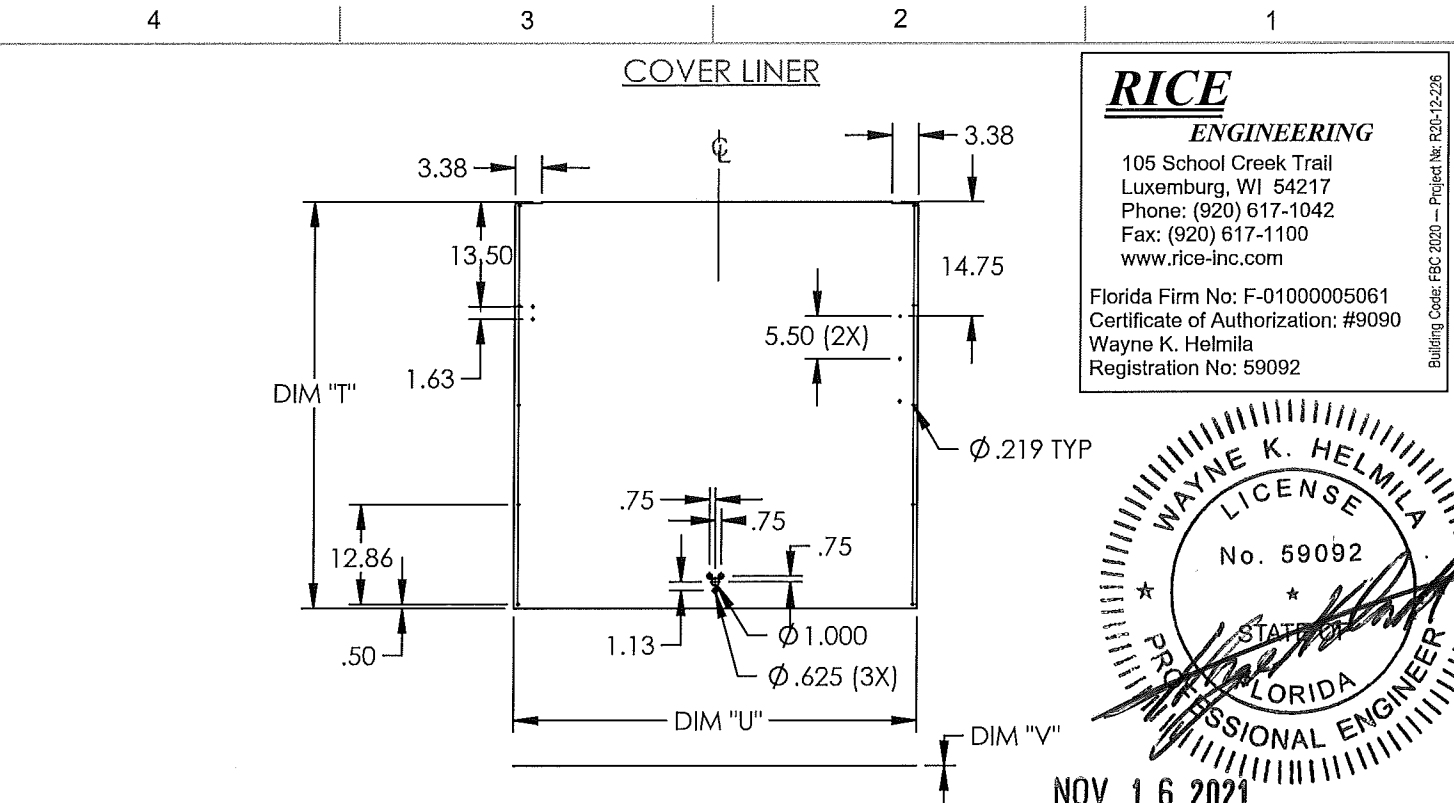




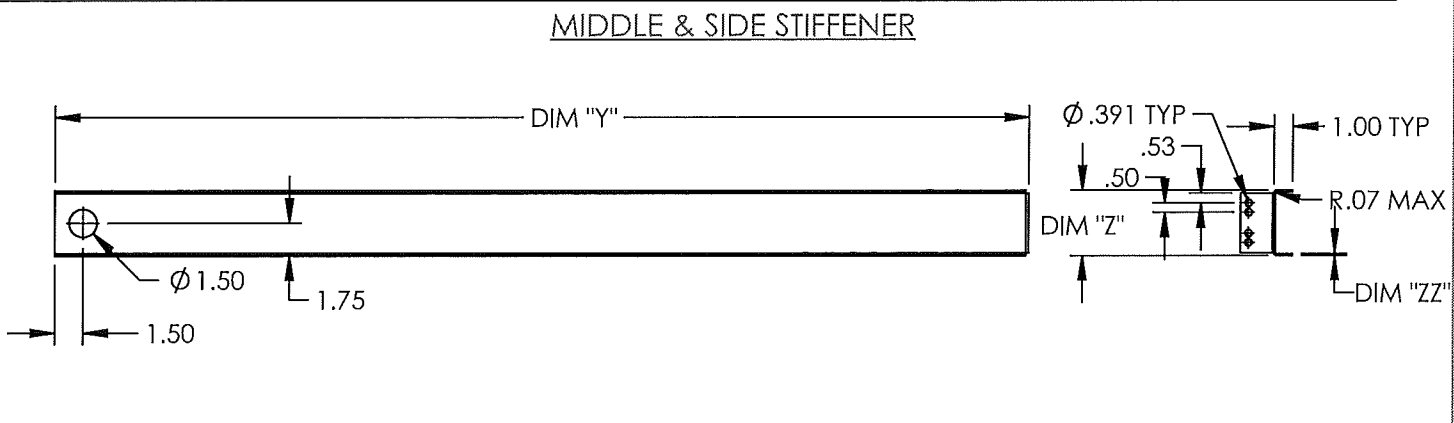
HATCH MATERIAL	DIM "Q"	DIM "R"	DIM "S"
GALVANEAL A653, 33KSI MIN	WIDTH + 4.18	LENGTH + 4.09	.075 (14GA)
ALUMINUM 3003-H14	WIDTH + 4.18	LENGTH + 4.09	0.090



HATCH MATERIAL	DIM "W"	DIM "X"
GALVANEAL A653, 33KSI MIN	LENGTH + 3.75	.075 (14GA)
ALUMINUM 5032-H32	LENGTH + 3.75	.125



HATCH MATERIAL	DIM "T"	DIM "U"	DIM "V"
GALVANEAL A653, 33KSI MIN	WIDTH + 3.88	LENGTH + 3.88	.034 (22GA)
ALUMINUM 3003-H14	WIDTH + 3.88	LENGTH + 3.88	.040 (18 GA)



STIFFENER	HATCH MATERIAL	DIM "Y"	DIM "Z"	DIM "ZZ"
HINGE STIFFENER	GALVANEAL A653, 33KSI MIN	LENGTH + 3.75	4.0	.075 (14GA)
HINGE STIFFENER	ALUMINUM 5052-H32	LENGTH + 3.75	4.0	.125
SIDE STIFFENER	GALVANEAL A653, 33KSI MIN	WIDTH - 8.75	5.0	.075 (14GA)
SIDE STIFFENER	ALUMINUM 5052-H32	WIDTH - 8.75	5.0	.125

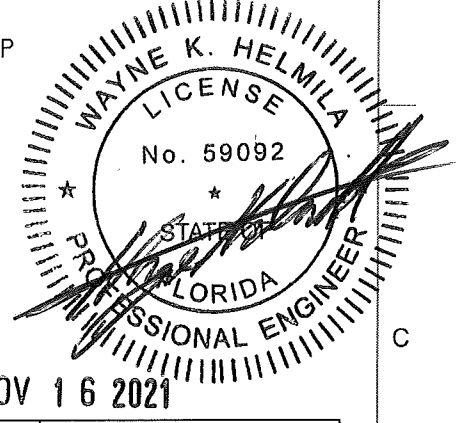
**PRODUCT REVISED**  
 as complying with the Florida  
 Building Code  
 NOA-No. 21-1201.01  
 Expiration Date 05/25/2027  
 By *[Signature]*  
 Miami-Dade Product Control

**nystrom**  
 9300 73rd Avenue North  
 Minneapolis, MN 55428

TITLE: Roof Hatch, Hurricane Zone Series  
 Single Door, Single Wall Curb  
 Single Point Latch

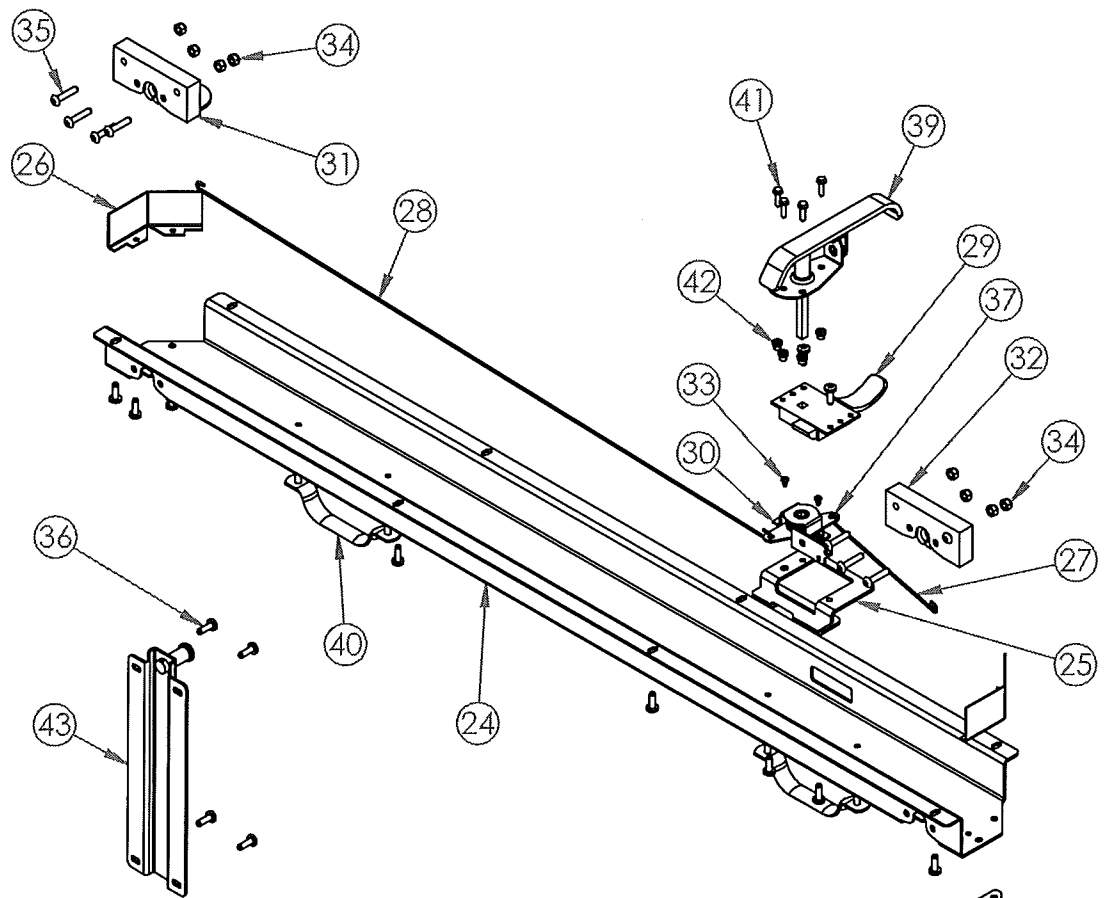
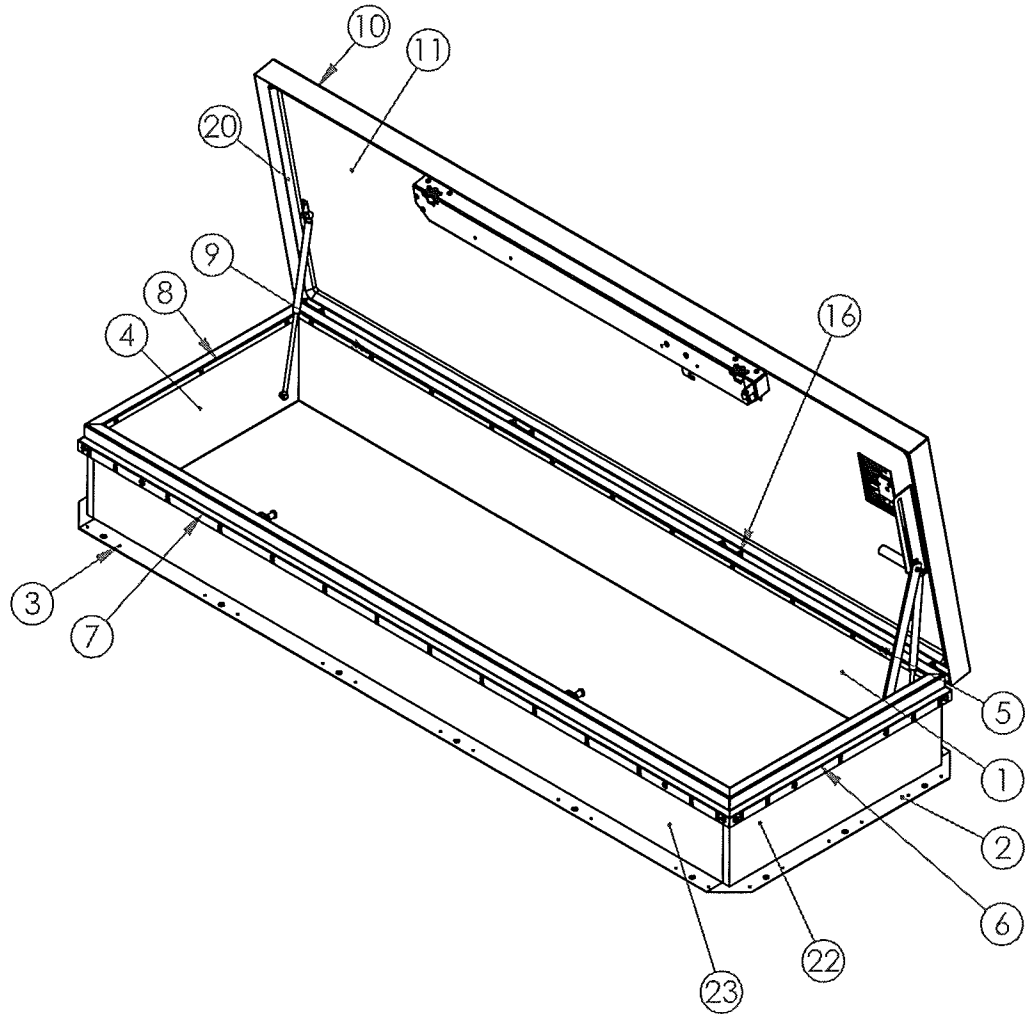
NAME	DATE	SIZE	DWG. NO.	REV
DRAWN: DKL	10/10/2016	B	DOOR HATCH ASSEMBLY	C
RELEASED: IMT	3/21/2017	WEIGHT: Weight	SHEET 08 OF 16	

**RICE ENGINEERING**  
 105 School Creek Trail  
 Luxemburg, WI 54217  
 Phone: (920) 617-1042  
 Fax: (920) 617-1100  
 www.rice-inc.com  
 Florida Firm No: F-01000005061  
 Certificate of Authorization: #9090  
 Wayne K. Helmila  
 Registration No: 59092

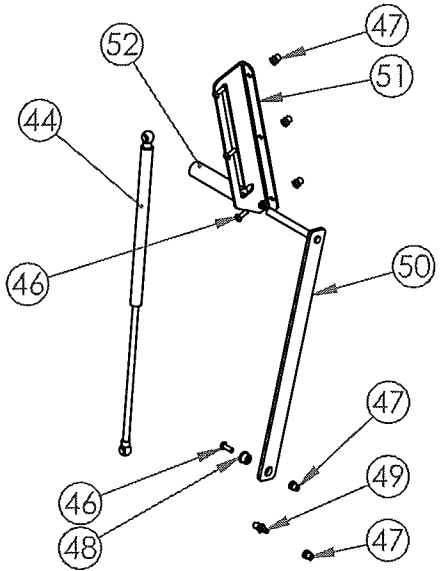


Building Code: FBC 2020 - Project No: R20-12-226

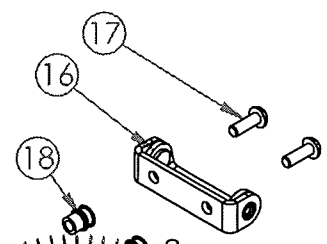
REVISIONS			
REV.	DESCRIPTION	DATE	APPROVED
A	RELEASE	11/9/21	AMB



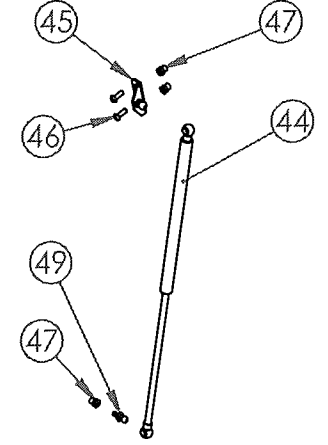
**HOLD OPEN ARM ASSEMBLY**



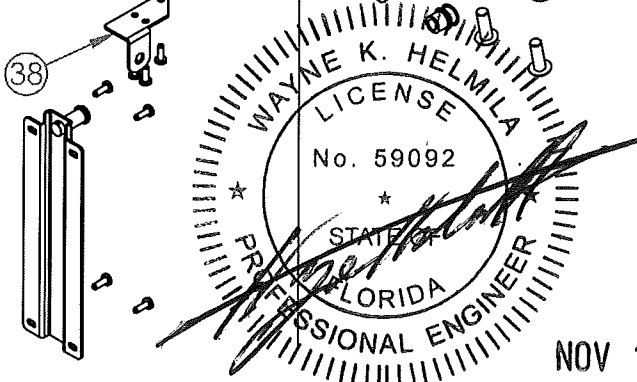
**HINGE ASSEMBLY**



**GAS SPRING ASSEMBLY**



**2-POINT LATCH ASSEMBLY**



**RICE ENGINEERING**

105 School Creek Trail  
Luxemburg, WI 54217  
Phone: (920) 617-1042  
Fax: (920) 617-1100  
www.rice-inc.com

Florida Firm No: F-0100005061  
Certificate of Authorization: #9090  
Wayne K. Helmla  
Registration No: 59092

Building Code: FBC 2020 - Project No: R201-12-226

**PRODUCT REVISED**  
as complying with the Florida Building Code  
**NOA-No.** 21-1201.01  
**Expiration Date** 05/25/2027  
By *[Signature]*  
**Miami-Dade Product Control**

- 1) THE DESIGN CONTAINED HEREIN IS DESIGNED AND TESTED IN ACCORDANCE WITH THE FLORIDA BUILDING CODE; TEST PROTOCOLS: TAS-201, TAS-202, TAS-203
- 2) THE SHORT-TERM LOAD FACTOR HAS NOT BEEN USED
- 3) PRODUCT APPROVED UP TO AN INSIDE AREA OF 20.00 SF (WIDTH \* LENGTH ≤ 20.00 SF)
- 4) ATTACHMENT TO STRUCTURE SHALL MEET THE FOLLOWING ALLOWABLE LOAD CONDITIONS. THE VALUES PROVIDED ASSUME THE ATTACHMENT DIRECTLY TO THE STRUCTURAL ELEMENTS WITHOUT SPACE. ALLOWABLE MINIMUM LOAD VALUES PULLOUT: 1400 LBS. SHEAR 654 LB.
- 5) USE THE FASTENER MANUFACTURERS RECOMMENDED SAFETY FACTOR. IF DIFFERENT CONDITIONS EXIST, CONTACT NYSTROM OR A FLORIDA LICENSED ENGINEER FOR A CONSULTATION
- 6) ALL LABELS TO BE LOCATED IN APPROXIMATE LOCATIONS AS SHOWN
- 7) PROTECTION BETWEEN ALUMINUM & DISSIMILAR MATERIALS MUST BE PROVIDED PER ALUMINUM DESIGN MANUAL

DESIGN PRESSURE RATING	IMPACT RATING	WATER FILTRATION
+/- 70 PSF	LARGE MISSILE IMPACT	100%DP WITH ZERO WATER FILTRATION

**nystrom**  
9300 73rd Avenue North  
Minneapolis, MN 55428

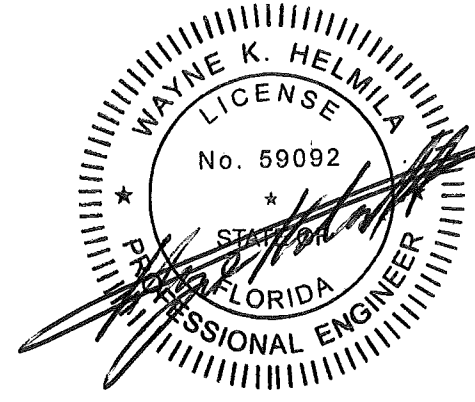
TITLE: Roof Hatch, Personnel Series, Single Door, Single Wall Curb Two Point Latch

NAME	DATE	SIZE	DWG. NO.	REV
DRAWN: AMB	8/17/2021	B	Two Point Latch Door Hatch Assembly	A
RELEASED: AMB	11/10/2021	WEIGHT: Weight	SHEET 09 OF 16	

ITEM	QTY.	PART#	DESCRIPTION
<b>CURB ASSEMBLY</b>			
1	1	CurbHinge	CURB - HINGE SIDE
2	1	CurbBottom	CURB - BOTTOM SIDE
3	1	CurbTop	CURB - TOP SIDE
4	1	CurbLatch	CURB - LATCH SIDE
<b>CAP FLASH ASSEMBLY</b>			
5	1	CflshHinge	CAP FLASH - HINGE SIDE
6	1	CflshBottom	CAP FLASH - BOTTOM SIDE
7	1	CflshTop	CAP FLASH - TOP SIDE
8	1	CflshLatch	CAP FLASH - LATCH SIDE
9	12	28544	BUTTON HEAD MACHINE SCREW, 1/4-20 x .75, (ZPS)
<b>COVER ASSEMBLY</b>			
10	1	Cover	COVER
11	1	Liner	COVER LINER
12	1	StiffenerHinge	STIFFENER - HINGE SIDE
13	2	StiffenerWidth	STIFFENER - SIDES
14	1	StiffenerLatch	STIFFENER - LATCH SIDE
15	1	StiffenerMid	STIFFENER - MIDDLE
16	4	28719	ASSY, HINGE (ZPS)
17	16	28544	BUTTON HD TORX SCREW, 1/4 X .75, 3PT, (ZPS)
18	5	4359	RIVNUT, 1/4-20, .027-.165 GRIP
19	1	29898	BRKT, SUPPORT, HINGE, (ZPS)
<b>INSULATION AND GASKET</b>			
20	2	6650	COVER GASKET, RH (EPDM), 1.125" x 0.655 CLOSED CELL FOAM
21	12	RHInsulationCover	INSULATION, COVER (POLYSTYRENE R=4.0)
22	1	RHInsulationTopBottom	INSULATION, 1" POLYISO, R-6
23	2	RHInsulationHingeLatch	INSULATION, 1" POLYISO, R-6
<b>LATCH ASSEMBLY</b>			
24	1	28908	LATCH HOUSING, 2-POINT, RH, (ZPS)
25	1	28910	LATCH CASE BRKT, 2-POINT, RH, (ZPS)
26	2	28909	LATCH HOUSING COVER, 2-POINT, RH, (ZPS)
27	1	28938	LATCH ROD, SHORT, 2-POINT, RH, (ZPS)
28	1	28913	LATCH ROD, LONG, 2-POINT, RH, (ZPS)
29	1	1297	LATCH, SLAM, ZINC COATED,
30	1	28916	LATCH CENTER CASE, 2-POINT, RH, (ZPS)
31	1	6618	ROTARY, TOP, LEFT HAND, (ZPS)
32	1	6617	ROTARY, BTM, RIGHT HAND, (ZPS)
33	2	28939	BHMS, 10-32x5/16 Self Tread, (ZPS)
34	8	2944	NUT, HEX, LOCK, NYLON, 1/4-20, (ZPS)
35	8	28677	BUTTON HEAD MACHINE SCREW, 1/4-20 x 1.25, (ZPS)
36	17	28221	BUTTON HEAD MACHINE SCREW, 1/4-20 x .75, (ZPS)
37	1	29183	LATCH STOP, 2PT MOD, (ZPS)
38	2	29674	BRACKET, PADLOCK, COVER, (ZPS)
39	1	28923	HDL, PADLOCKING, STL, SHORT, (ZPS)
41	4	2846	HEX WASHER HEAD TEK SCREW, 10-16 x .75, 3 PT, (ZPS)
42	4	6507	RIVNUT, 10-24, .020-.130 GRIP, (ZPS)
43	2	28835	STRIKER WDMT, CURB RH, (ZPS)

ITEM	QTY.	PART #	DESCRIPTION
<b>GAS SPRING/HOA ASSEMBLIES</b>			
44	-	30268	GAS SPRING, 150N
44	-	29880	GAS SPRING, 250N
44	-	29881	GAS SPRING, 500N
44	-	30269	GAS SPRING, 600N
45	1	29878	BRKT, BALL STUD, SPG, (ZPS)
46	6	28221	BUTTON HD TORX MACHINE SCREW, 1/4 X .75, (ZPS)
47	8	4359	RIVNUT, 1/4-20, .027-.165 GRIP (ALUM)
48	1	29895	BEARING, HOA, (ZPS)
49	2	29879	BRKT, BALL STUD, SPG, (ZPS)
50	1	29863	ARM, HOA, STL, (ZPS)
51	1	29890	BRKT, HOA/SPG, (ZPS)
52	1	2934	HDL, RED GRIP, (VINYL)
<b>LABELS &amp; MISC.</b>			
64	-	3021	PAINT, POWDER
65	1	26504	LABEL, MADE IN THE USA
66	1	3114	LABEL, LOGO, LARGE
67	2	3036	LABEL, CAUTION, HANDLE
68	1	1851	LABEL, RELEASE HANDLE
69	1	28883	LABEL, PRODUCT APPROVED (ALUMINUM FOIL)
71	-	28096	SILICONE

**PRODUCT REVISED**  
as complying with the Florida  
Building Code  
NOA-No. 21-1201.01  
Expiration Date 05/25/2027  
By *[Signature]*  
Miami-Dade Product Control



**RICE**  
**ENGINEERING**  
105 School Creek Trail  
Luxemburg, WI 54217  
Phone: (920) 617-1042  
Fax: (920) 617-1100  
www.rice-inc.com  
Florida Firm No: F-01000005061  
Certificate of Authorization: #9090  
Wayne K. Helmila  
Registration No: 59092

**STANDARD MODEL NUMBERS:**  
G3096 A3096  
G3672 A3672  
G3072 A3072

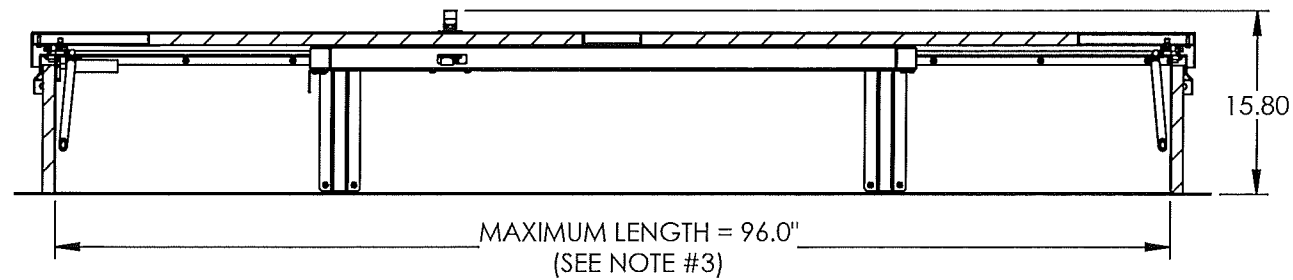
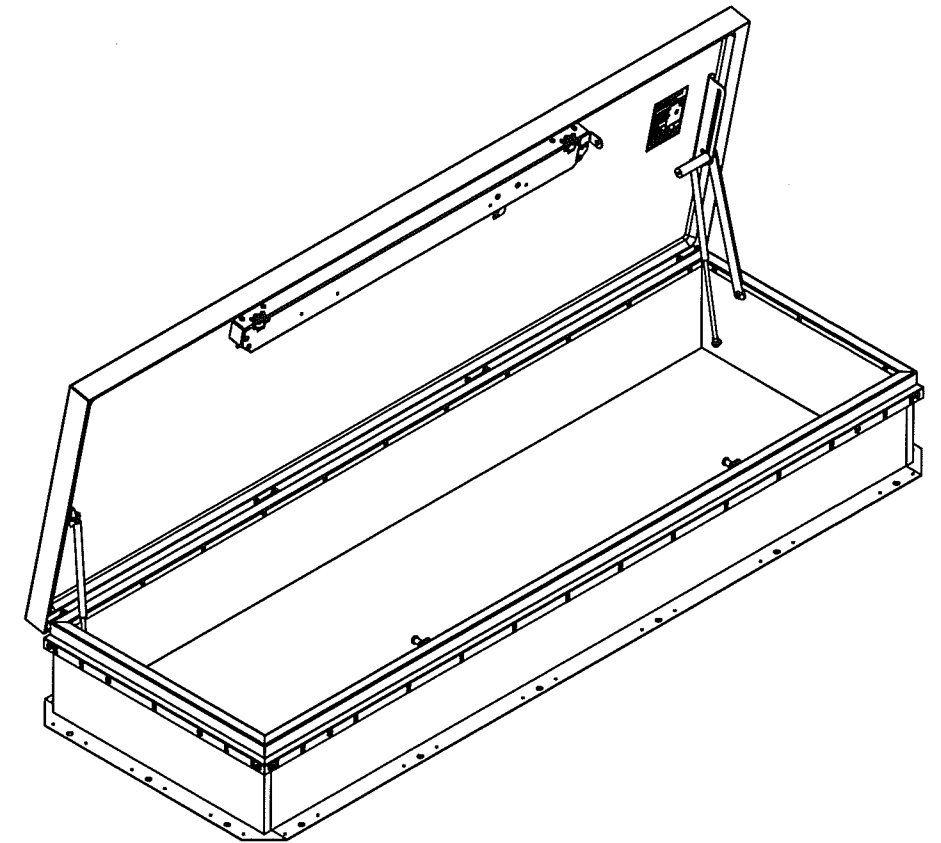
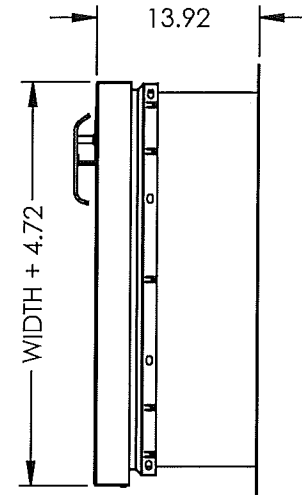
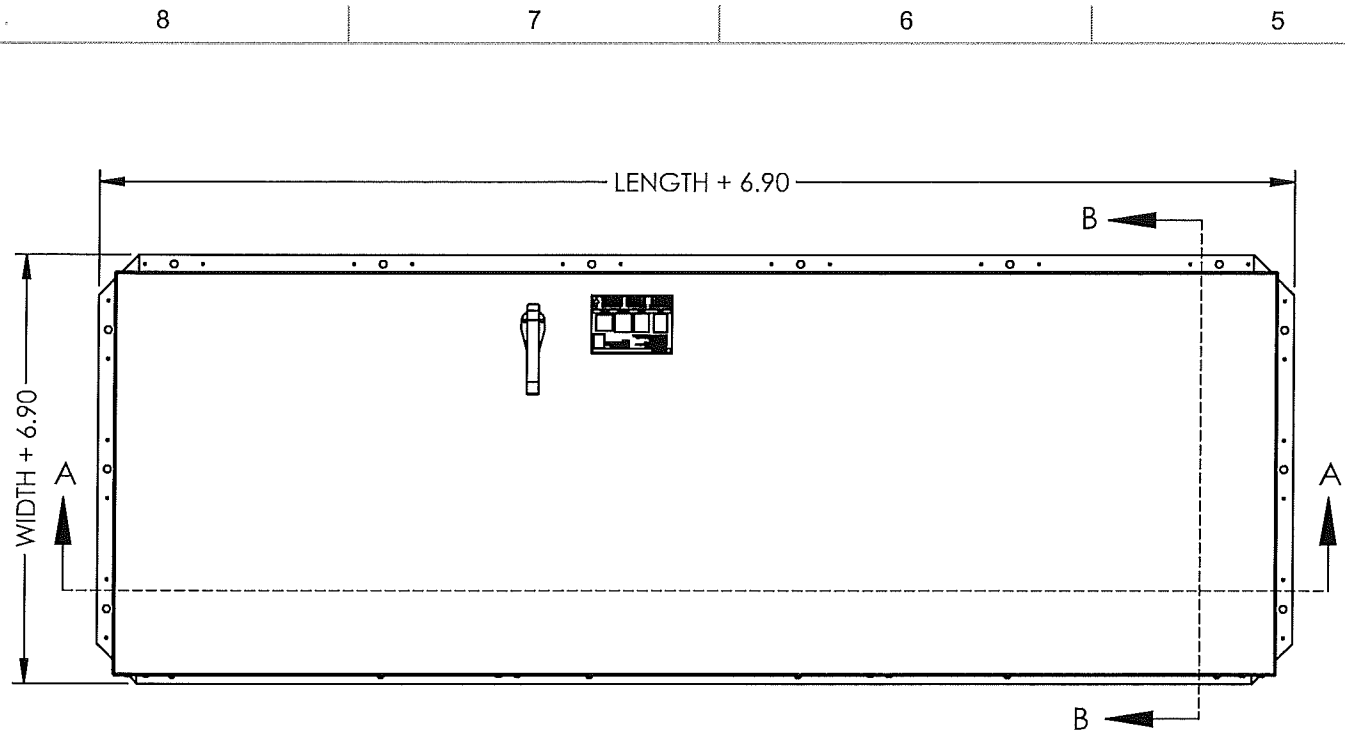
**CUSTOM MODEL NUMBERS:**  
G W X\* L (WHERE W = 18" - 48" AND L = 60.25" - 96")\*  
A W X\* L (WHERE W = 18" - 48" AND L = 60.25" - 96")\*  
\*"X" OMITTED ON NON-FRACTION WIDTH AND LENGTH  
\*\*AREA NOT TO EXCEED 20 SQ. FT.

**NOTES:**  
NUMBER OF ANCHORS RANGES BETWEEN 2  
AND 6 PER SPACING DIMENSIONS ON SHEET 12.

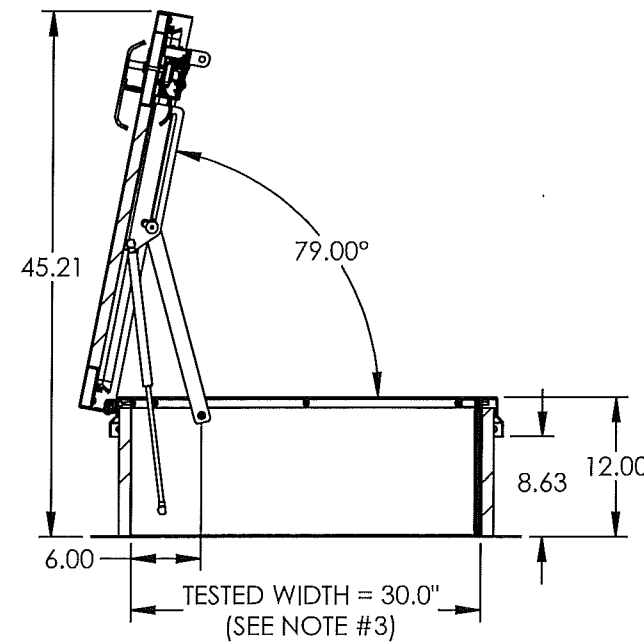
- 1 MATERIAL THICKNESS TO BE DIFFERENT ON STEEL AND ALUMINUM MODELS
- 2 SPRING QTY AND TYPE VARIES PER HATCH SIZE TO MEET ≤ 30 LBS COVER OPENING PRESSURE
- 3 REQUIRED ON ALUMINUM VERSIONS
- 4 NOT REQUIRED ON ALUMINUM VERSIONS
- 5 NOT SHOWN ON ASSEMBLY

<b>nystrom</b>		9300 73rd Avenue North Minneapolis, MN 55428		TITLE: Roof Hatch, Personnel Series, Single Door, Single Wall Curb Two Point Latch	
NAME	DATE	SIZE	DWG. NO.	REV	
DRAWN	AMB	8/17/2021	B	Two Point Latch Door Hatch Assembly	A
RELEASED	AMB	11/10/2021	WEIGHT: Weight	SHEET 10 OF 16	

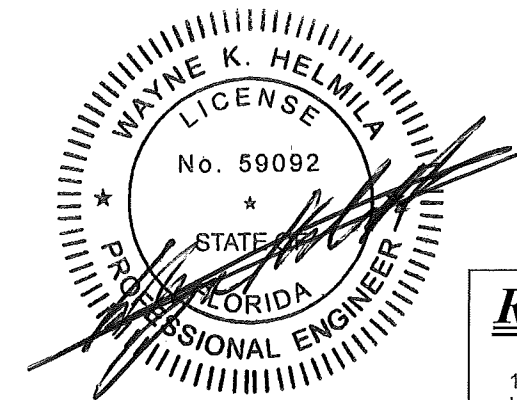




SECTION A-A



SECTION B-B



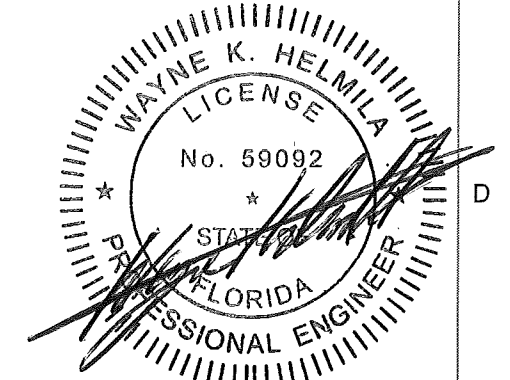
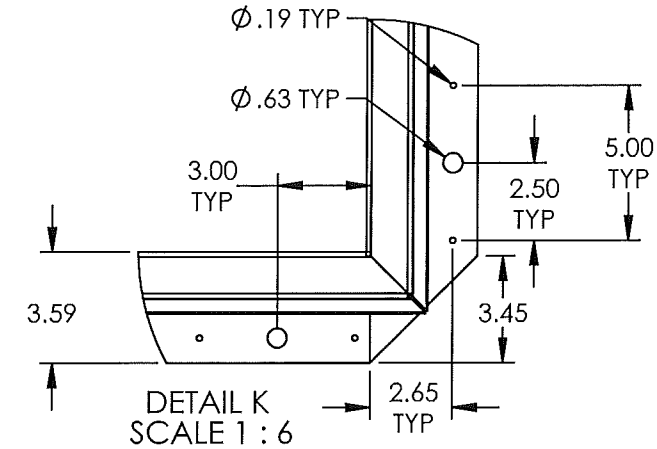
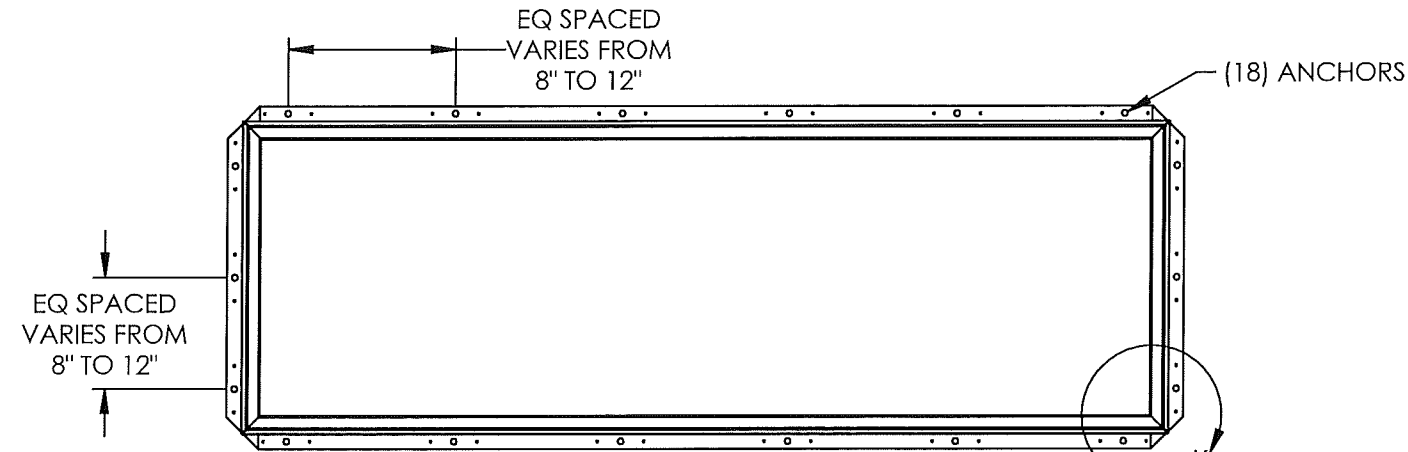
NOV 16 2021

**RICE**  
ENGINEERING  
105 School Creek Trail  
Luxemburg, WI 54217  
Phone: (920) 617-1042  
Fax: (920) 617-1100  
www.rice-inc.com  
Florida Firm No: F-01000005061  
Certificate of Authorization: #9090  
Wayne K. Helmila  
Registration No: 59092

**PRODUCT REVISED**  
as complying with the Florida  
Building Code  
NOA-No. 21-1201.01  
Expiration Date 05/25/2027  
By *[Signature]*  
Miami-Dade Product Control

<b>nystrom</b>		TITLE: Roof Hatch, Personnel Series, Single Door, Single Wall Curb Two Point Latch	
9300 73rd Avenue North Minneapolis, MN 55428		SIZE: B	DWG. NO.: Two Point Latch Door Hatch Assembly
NAME: AMB	DATE: 8/17/2021	WEIGHT: Weight	REV: A
RELEASED: AMB	DATE: 11/10/2021	SHEET 11 OF 16	

Building Code: FBC 2020 - Project No: P20-12-228



NOV 16 2021  
1/4"-20 x 3/8" Self Tapping Cap Screws

1/4"-20 x 3/8" Self Tapping Cap Screws

1/4"-20 x 3/8" Self Tapping Cap Screws

1/4"-20 x 3/8" Self Tapping Cap Screws

Use 3/8" DIA. 316 Lag Bolts (Fy=65ksi);  
Southern Pine (G=0.55MIN) - Predrill as  
Recommended;  
Penetration = 1.75";  
MIN OF 1.50" Of Threads to be  
Engaged into Wood;  
Spacing: 3.00" MIN;  
Edge Distance: 1.50" MIN;  
End Distance: 6.00" MIN

5/16" Dia. S.S. Fasteners MIN.;  
Self-Drilling; Self-Tapping or Thru Bolts;  
300 Series S.S., Cond. CW, Fy = 65ksi;  
0.105 Thread Engagement MIN.

3/8" Dia. S.S. Kwik Bolt TZ Wedge Anchor;  
316 Stainless Steel;  
Eff. Embedment Depth: 2" Min.;  
Install Depth: 2.313 Min.;  
Edge Distance: 6" Min.;  
Spacing: 4 1/2" Min.;  
Min. Slab Thickness: 4" - Normal Wt., Cracked  
Concrete Compressive Strength: f'c = 3,000 psi;  
\*\*Install Per Manufacturer's Instructions\*\*

2.66  
3.45

CURB  
DETAIL

1.50" MIN  
WOOD  
CURB  
WOOD S.G. = 0.55 MIN

1.50" MIN  
5.00" REF  
.25" THK

STEEL  
CURB  
(Fy = 33Ksi; MIN)  
(THICKNESS = 0.105" MIN.)

4"  
6.0" MIN

CONCRETE  
CURB  
3000 PSI MIN

ANCHORING DETAIL  
OPTIONS

**RICE**  
ENGINEERING

105 School Creek Trail  
Luxemburg, WI 54217  
Phone: (920) 617-1042  
Fax: (920) 617-1100  
www.rice-inc.com

Florida Firm No: F-01000005061  
Certificate of Authorization: #9090  
Wayne K. Helmila  
Registration No: 59092

Building Code: FEC 2020 - Project No: R20-12-216

**PRODUCT REVISED**  
as complying with the Florida  
Building Code

NOA-No. 21-1201.01

Expiration Date 05/25/2027

By *[Signature]*  
Miami-Dade Product Control

NOTE: Anchorage designed for 70 psf Lateral and 70 psf Uplift (Applied Independently)

**nystrom**

9300 73rd Avenue North  
Minneapolis, MN 55428

TITLE:

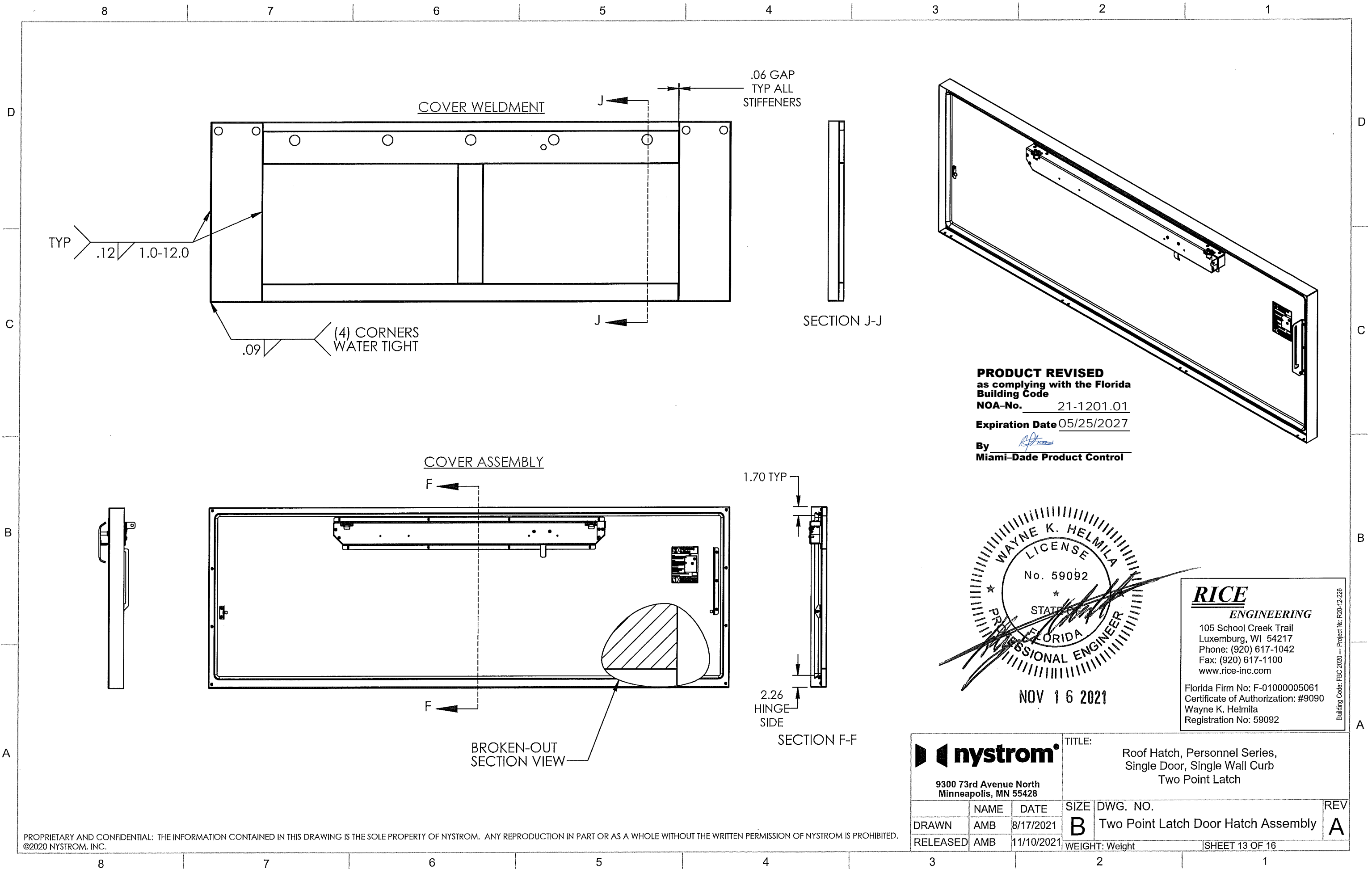
Roof Hatch, Personnel Series,  
Single Door, Single Wall Curb  
Two Point Latch

NAME	DATE	SIZE	DWG. NO.	REV
DRAWN AMB	8/17/2021	B	Two Point Latch Door Hatch Assembly	A
RELEASED AMB	11/10/2021			

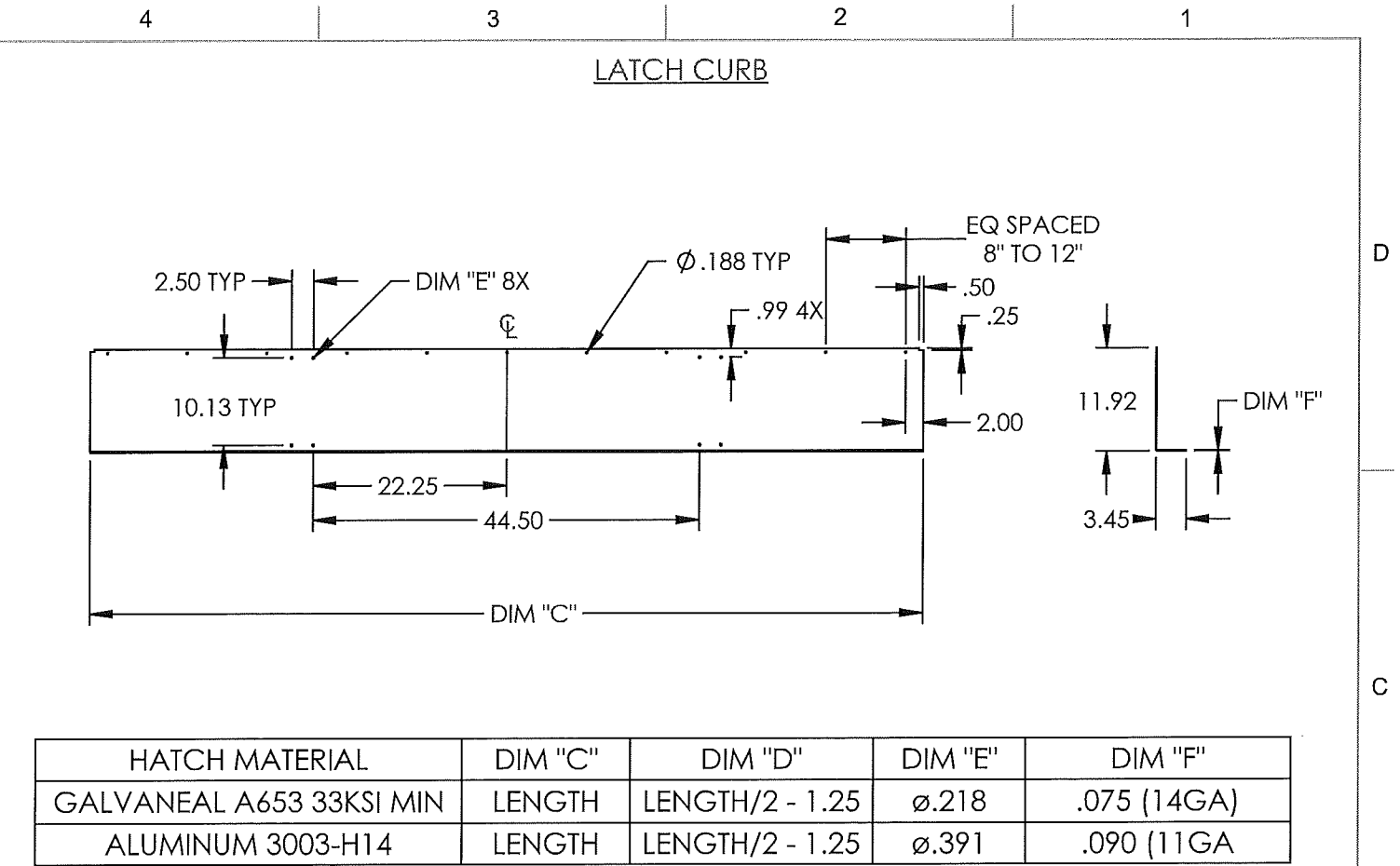
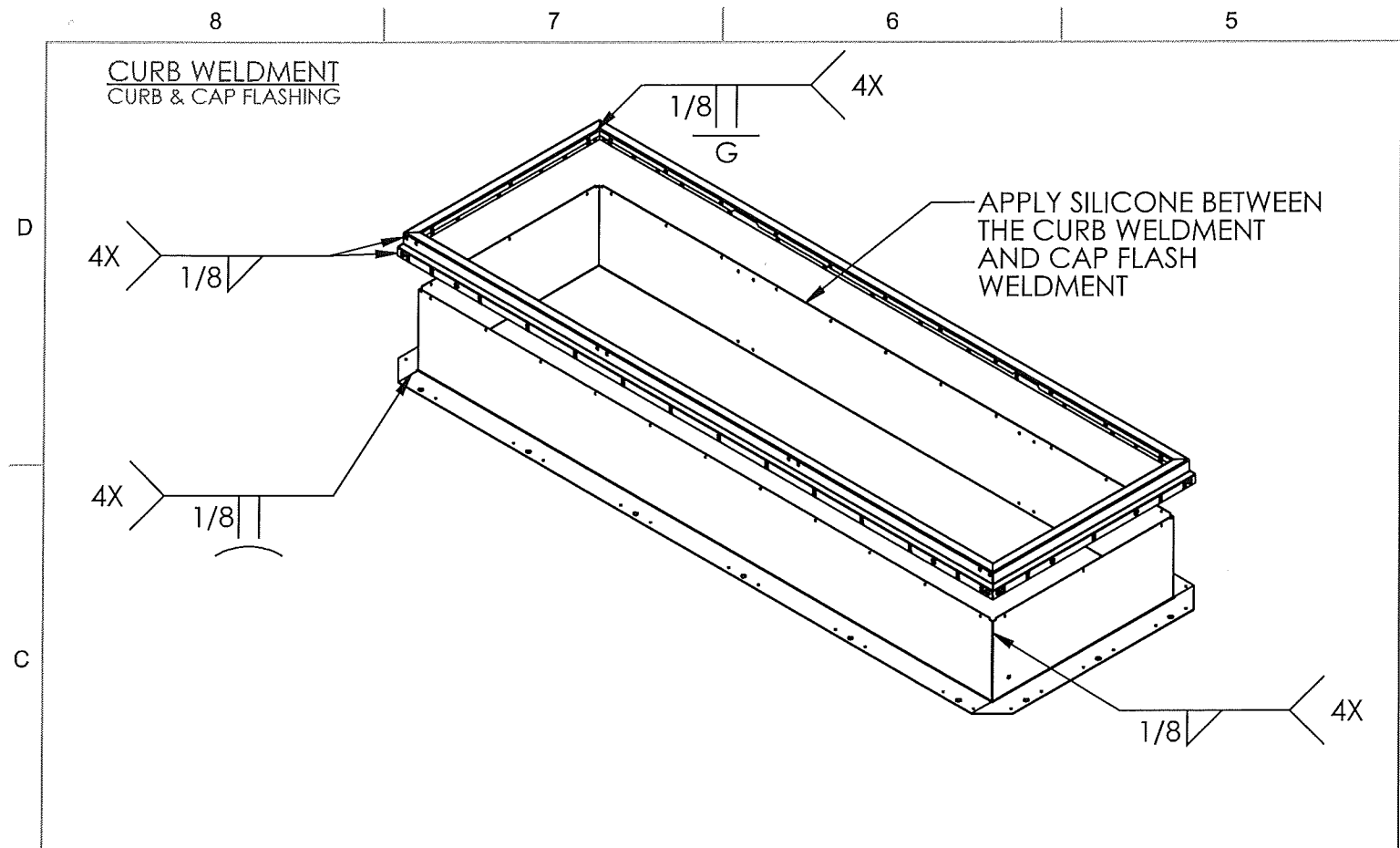
WEIGHT: Weight

SHEET 12 OF 16





PROPRIETARY AND CONFIDENTIAL: THE INFORMATION CONTAINED IN THIS DRAWING IS THE SOLE PROPERTY OF NYSTROM. ANY REPRODUCTION IN PART OR AS A WHOLE WITHOUT THE WRITTEN PERMISSION OF NYSTROM IS PROHIBITED.  
©2020 NYSTROM, INC.



HATCH MATERIAL	DIM "C"	DIM "D"	DIM "E"	DIM "F"
GALVANEAL A653 33KSI MIN	LENGTH	LENGTH/2 - 1.25	ø.218	.075 (14GA)
ALUMINUM 3003-H14	LENGTH	LENGTH/2 - 1.25	ø.391	.090 (11GA)

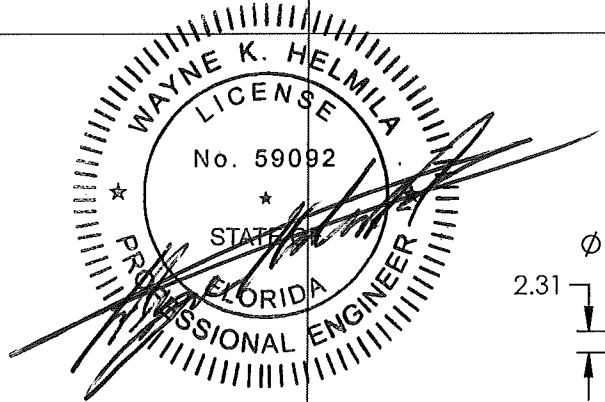
**RICE**  
ENGINEERING

105 School Creek Trail  
Luxemburg, WI 54217  
Phone: (920) 617-1042  
Fax: (920) 617-1100  
www.rice-inc.com

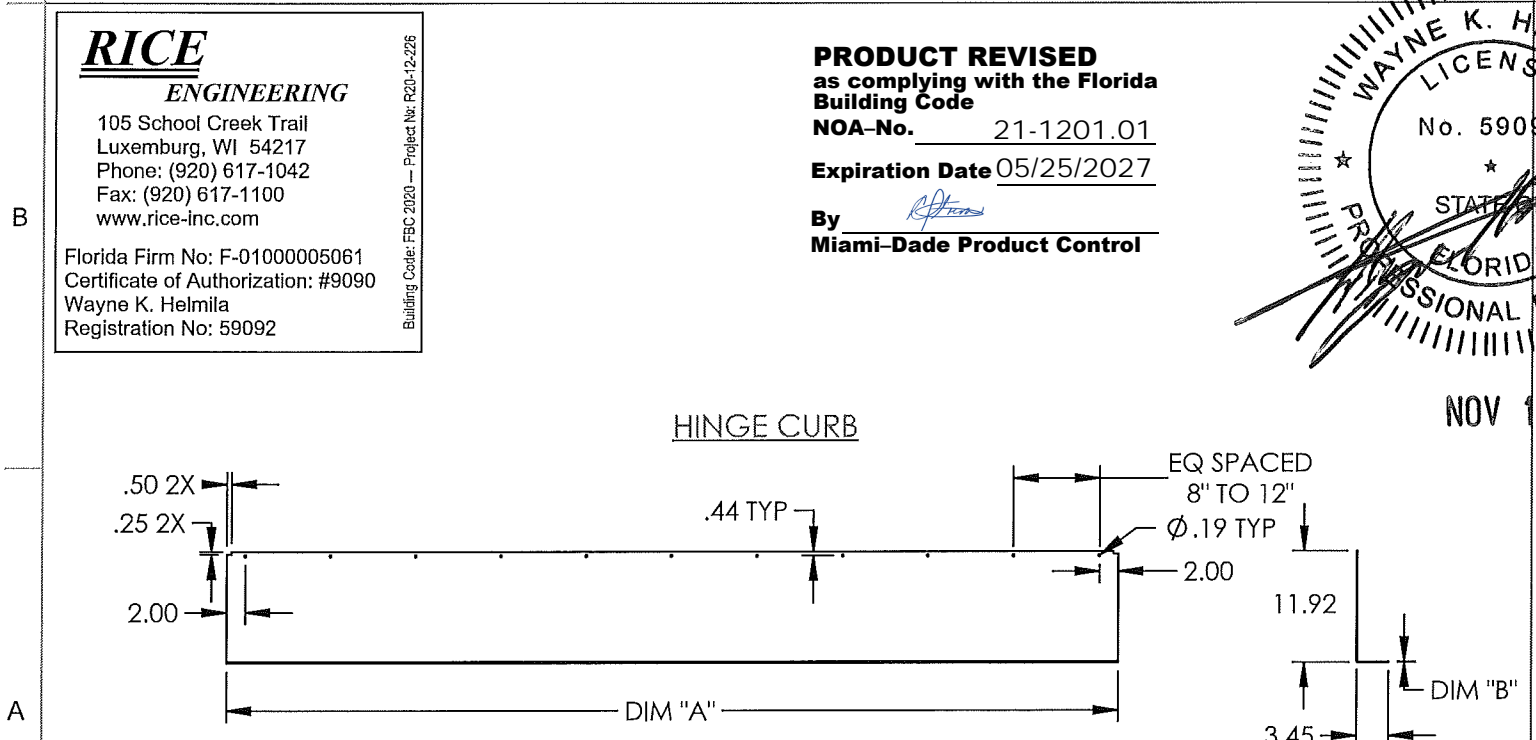
Florida Firm No: F-01000005061  
Certificate of Authorization: #9090  
Wayne K. Helmila  
Registration No: 59092

Building Code: FBC 2020 - Project No: P20-12-226

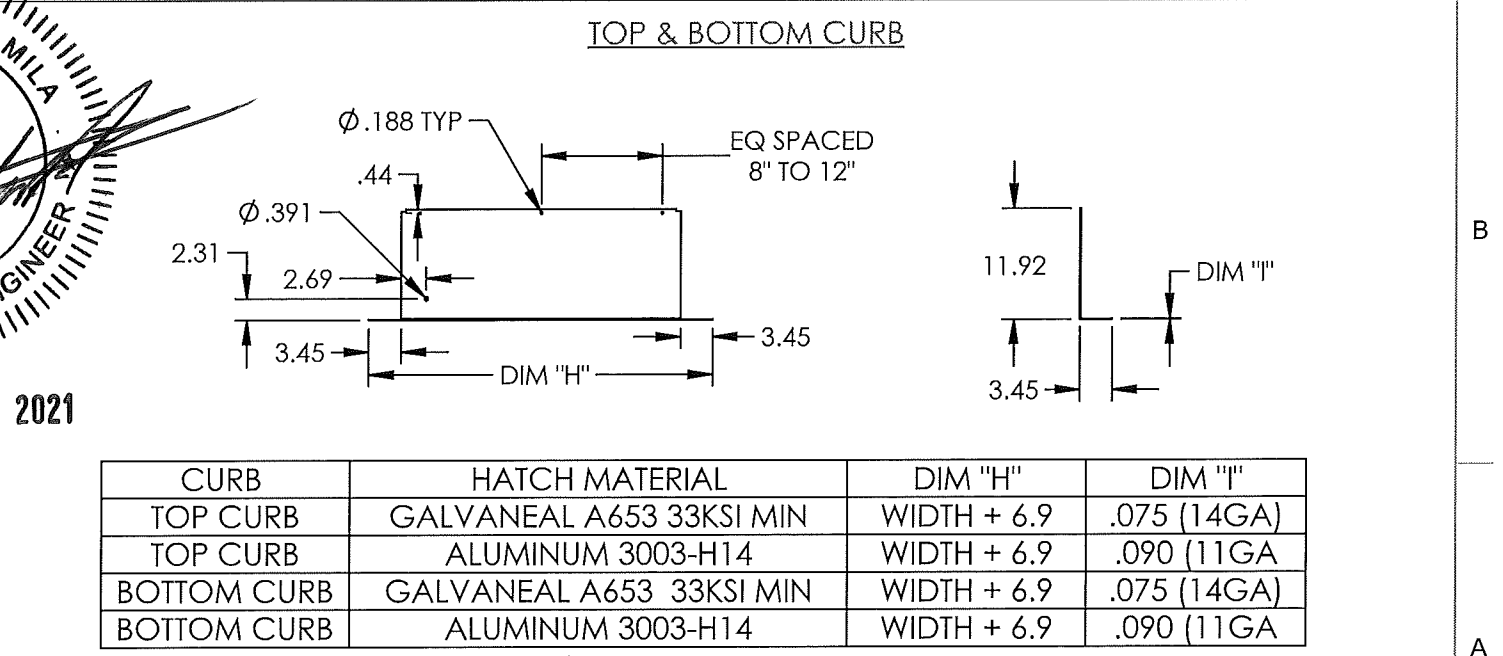
**PRODUCT REVISED**  
as complying with the Florida  
Building Code  
NOA-No. 21-1201.01  
Expiration Date 05/25/2027  
By *[Signature]*  
Miami-Dade Product Control



NOV 16 2021



HATCH MATERIAL	DIM "A"	DIM "B"
GALVANEAL A653 33KSI MIN	LENGTH	.075 (14GA)
ALUMINUM 3003-H14	LENGTH	.090 (11GA)



CURB	HATCH MATERIAL	DIM "H"	DIM "I"
TOP CURB	GALVANEAL A653 33KSI MIN	WIDTH + 6.9	.075 (14GA)
TOP CURB	ALUMINUM 3003-H14	WIDTH + 6.9	.090 (11GA)
BOTTOM CURB	GALVANEAL A653 33KSI MIN	WIDTH + 6.9	.075 (14GA)
BOTTOM CURB	ALUMINUM 3003-H14	WIDTH + 6.9	.090 (11GA)

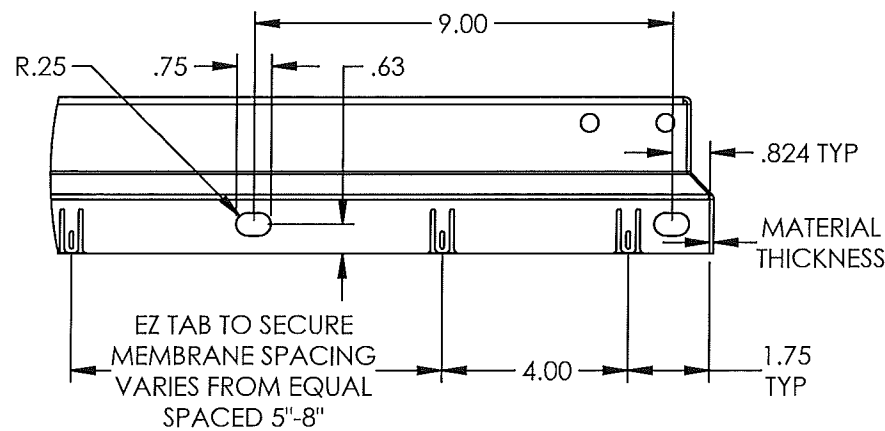
**nystrom**  
9300 73rd Avenue North  
Minneapolis, MN 55428

TITLE: Roof Hatch, Personnel Series,  
Single Door, Single Wall Curb  
Two Point Latch

NAME DATE  
DRAWN AMB 8/17/2021  
RELEASED AMB 11/10/2021

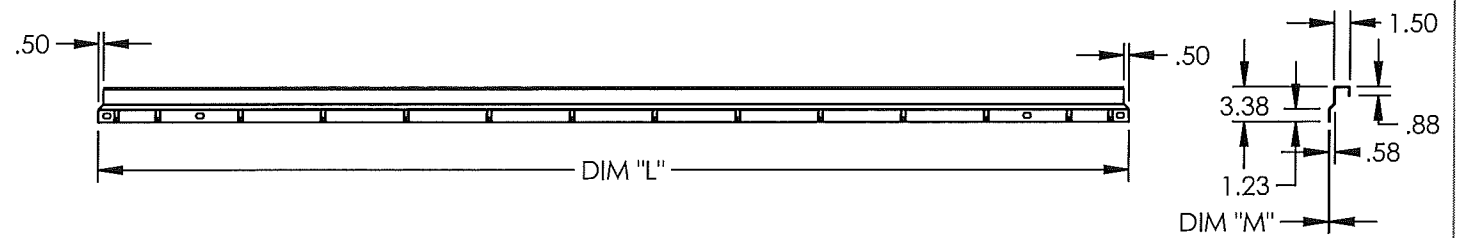
SIZE DWG. NO. REV  
B Two Point Latch Door Hatch Assembly A  
WEIGHT: Weight SHEET 14 OF 16

**CAP FLASHING TYP  
EZ TAB LOCATIONS**



NOTE:  
EZ TAB DIMENSIONS ARE TYP  
FROM BOTH ENDS OF  
ALL TYPES OF CAP FLASH.

**LATCH CAP FLASHING**



HATCH MATERIAL	DIM "L"	DIM "M"
GALVANEAL A653, 33KSI MIN	LENGTH + 3.51	.075 (14GA)
3003 ALUMINUM-H14	LENGTH + 3.51	.090 (11GA)

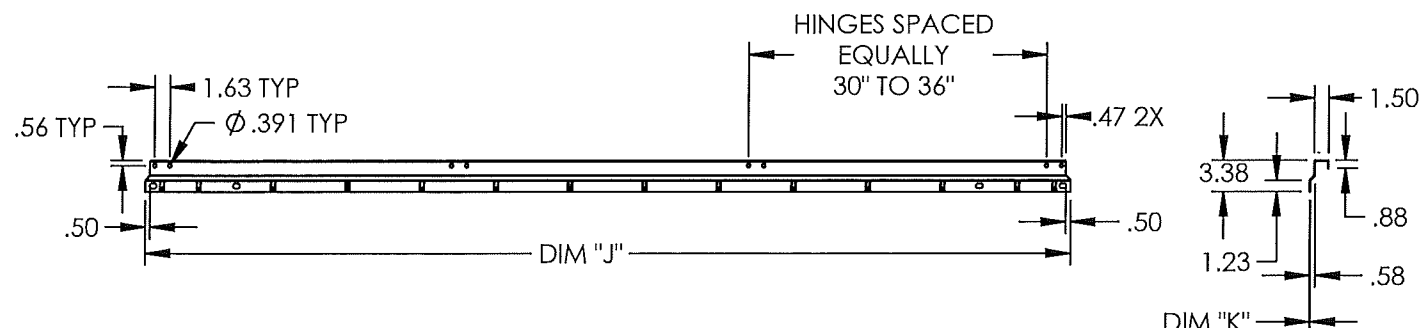
**RICE ENGINEERING**  
 105 School Creek Trail  
 Luxemburg, WI 54217  
 Phone: (920) 617-1042  
 Fax: (920) 617-1100  
 www.rice-inc.com

Florida Firm No: F-01000005061  
 Certificate of Authorization: #9090  
 Wayne K. Helmila  
 Registration No: 59092

Building Code: FBC 2020 - Project No: R20-12-226

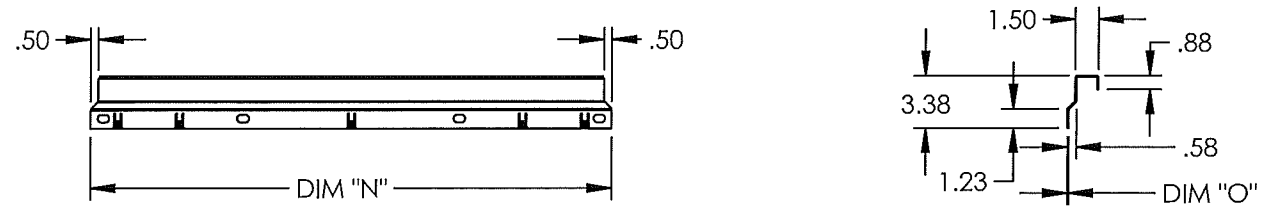
**HINGE CAP FLASHING**

**PRODUCT REVISED**  
 as complying with the Florida  
 Building Code  
 NOA-No. 21-1201.01  
 Expiration Date 05/25/2027  
 By *[Signature]*  
 Miami-Dade Product Control

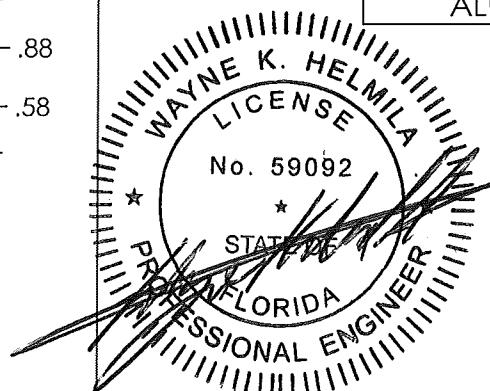


HATCH MATERIAL	DIM "J"	DIM "K"
GALVANEAL A653, 33KSI MIN	LENGTH + 3.51	.075 (14GA)
ALUMINUM 3003-H14	LENGTH + 3.51	.090 (11GA)

**TOP & BOTTOM CAP FLASHING**



HATCH MATERIAL	DIM "N"	DIM "O"
GALVANEAL A653, 33KSI MIN	WIDTH + 3.56	.075 (14GA)
ALUMINUM 3003-H14	WIDTH + 3.56	.090 (11GA)

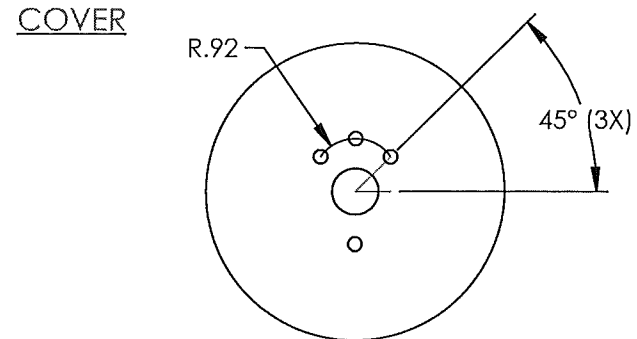
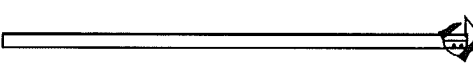
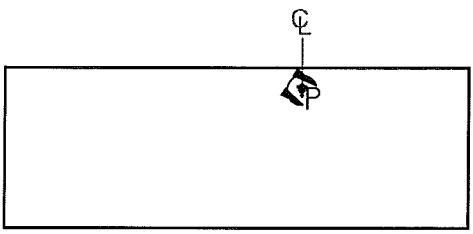
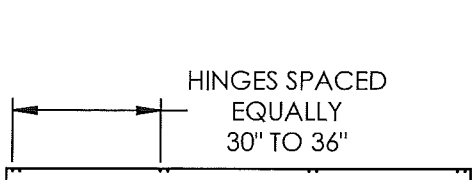


NOV 16 2021

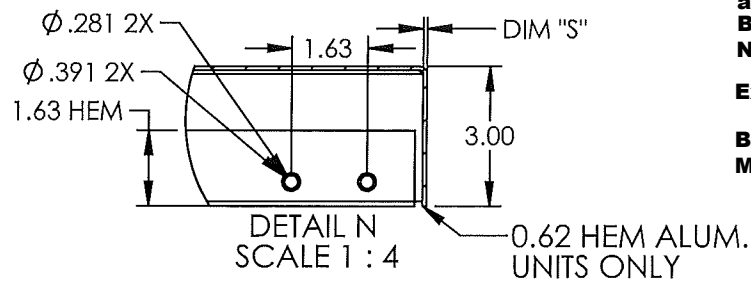
**nystrom**  
 9300 73rd Avenue North  
 Minneapolis, MN 55428

TITLE: Roof Hatch, Personnel Series, Single Door, Single Wall Curb Two Point Latch		REV <b>A</b>
NAME AMB	DATE 8/17/2021	SIZE <b>B</b>
RELEASED AMB	DATE 11/10/2021	DWG. NO. Two Point Latch Door Hatch Assembly
WEIGHT: Weight		SHEET 15 OF 16

8 7 6 5 4 3 2 1



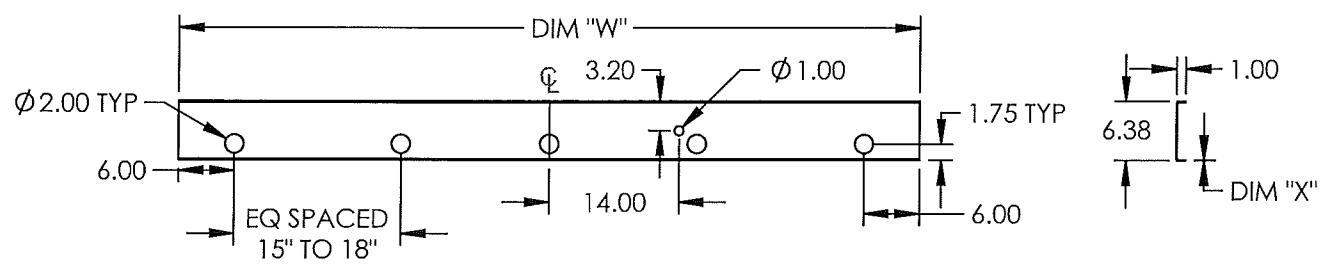
DETAIL P  
SCALE 1 : 4



DETAIL N  
SCALE 1 : 4

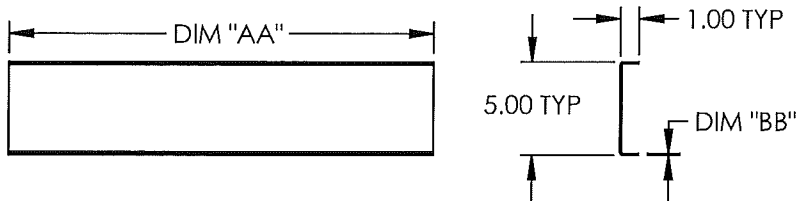
HATCH MATERIAL	DIM "Q"	DIM "R"	DIM "S"
GALVANEAL A653, 33KSI MIN	WIDTH + 4.72	LENGTH + 4.09	.075 (14GA)
ALUMINUM 3003-H14	WIDTH + 4.72	LENGTH + 4.09	0.090

LATCH STIFFENER



HATCH MATERIAL	DIM "W"	DIM "X"
GALVANEAL A653, 33 KSI MIN	LENGTH - 16.125	.075 (14GA)
ALUMINUM 5052-H32	LENGTH - 16.125	.125

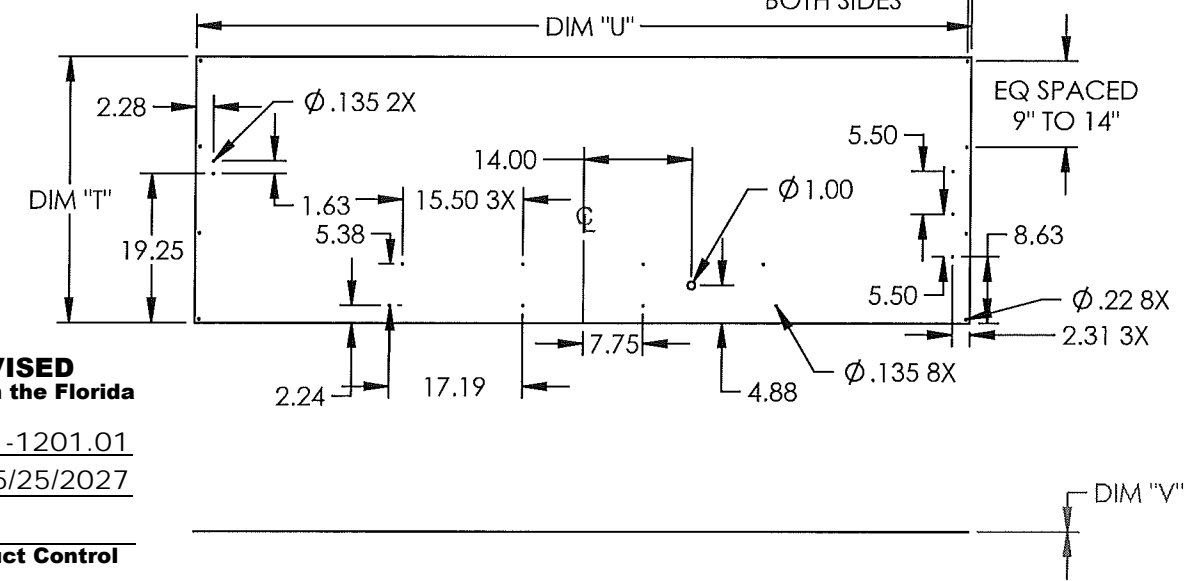
MIDDLE STIFFENER



HATCH MATERIAL	DIM "AA"	DIM "BB"
GALVANEAL A653, 33 KSI MIN	WIDTH - 7.125	.075 (14GA)
ALUMINUM 5052-H32	WIDTH - 7.125	.125

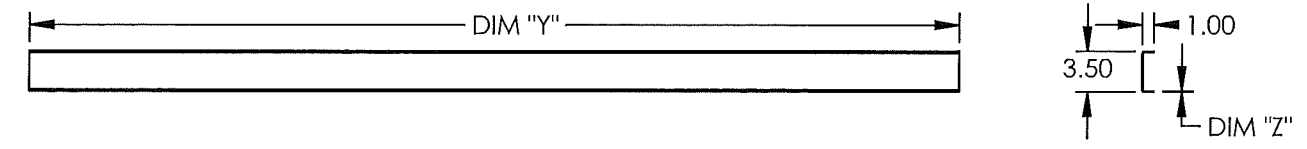
**PRODUCT REVISED**  
as complying with the Florida Building Code  
NOA-No. 21-1201.01  
Expiration Date 05/25/2027  
By *[Signature]*  
Miami-Dade Product Control

COVER LINER



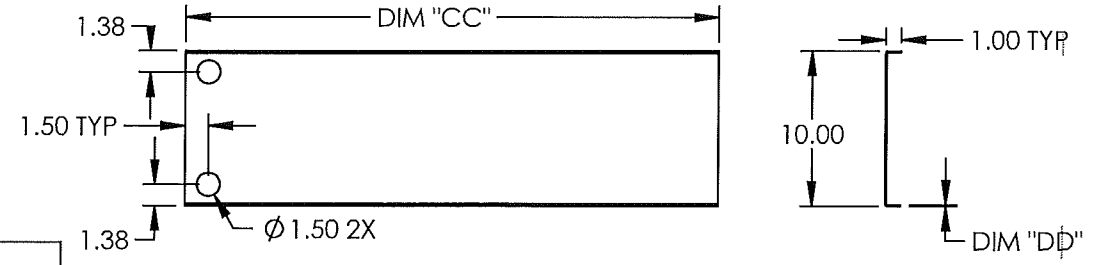
HATCH MATERIAL	DIM "T"	DIM "U"	DIM "V"
GALVANEAL A653, 33KSI MIN	WIDTH + 4.375	LENGTH + 3.875	0.034 (21 GA)
ALUMINUM 3003-H14	WIDTH + 4.375	LENGTH + 3.875	0.040

HINGE STIFFENER

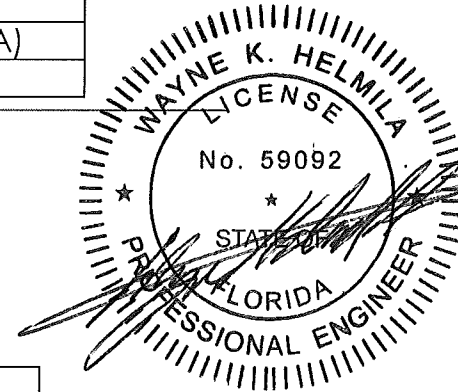


HATCH MATERIAL	DIM "Y"	DIM "Z"
GALVANEAL A653, 33KSI MIN	LENGTH - 16.125	.075 (14GA)
ALUMINUM 5052-H32	LENGTH - 16.125	.125

SIDE STIFFENER



HATCH MATERIAL	DIM "CC"	DIM "DD"
GALVANEAL A653, 33 KSI MIN	WIDTH + 4.375	.075 (14GA)
ALUMINUM 5052-H32	WIDTH + 4.375	.125



NOV 16 2021

**RICE**  
ENGINEERING  
105 School Creek Trail  
Luxemburg, WI 54217  
Phone: (920) 617-1042  
Fax: (920) 617-1100  
www.rice-inc.com  
Florida Firm No: F-01000005061  
Certificate of Authorization: #9090  
Wayne K. Helmila  
Registration No: 59092



TITLE: Roof Hatch, Personnel Series, Single Door, Single Wall Curb Two Point Latch

NAME	DATE	SIZE	DWG. NO.	REV
DRAWN	AMB	8/17/2021	B Two Point Latch Door Hatch Assembly	A
RELEASED	AMB	11/10/2021		

WEIGHT: Weight SHEET 16 OF 16

PROPRIETARY AND CONFIDENTIAL: THE INFORMATION CONTAINED IN THIS DRAWING IS THE SOLE PROPERTY OF NYSTROM. ANY REPRODUCTION IN PART OR AS A WHOLE WITHOUT THE WRITTEN PERMISSION OF NYSTROM IS PROHIBITED.  
©2020 NYSTROM, INC.

8 7 6 5 4 3 2 1